



The ICII Gearbox

Super Series Gearbox

50:1 Short Shaft Gearbox

52:1 Long Shaft Gearbox

Superior Engineering & Features

- Vented, External Expansion Chamber with Rubber Diaphragm
- API Cartridge Input/Output Seals
- 2 1/4" (5.72 cm) High Strength Alloy Steel Input/Output Shafts
- Premium, Oversized & Tapered Bearings on Input Shafts to Handle Extreme Loads
- Alloy Gear Teeth for Superior Wear Resistance & Longevity
- Dual Input Shafts
- Universal (13-Bolt) Mounting
- Filled with Premium Extreme Pressure GL5 Gear Oil
- 3-Year Warranty



Part #	Model	Description
1011814250	ICII-250SS	Super Series Gearbox, 50:1, Short Shaft, Non-Tow
1011814252	ICII-252SS	Super Series Gearbox, 52:1, Long Shaft, Non-Tow



(251) 626-5470
 icii@irricomp.com
 www.irricomp.com
 www.iciigears.com



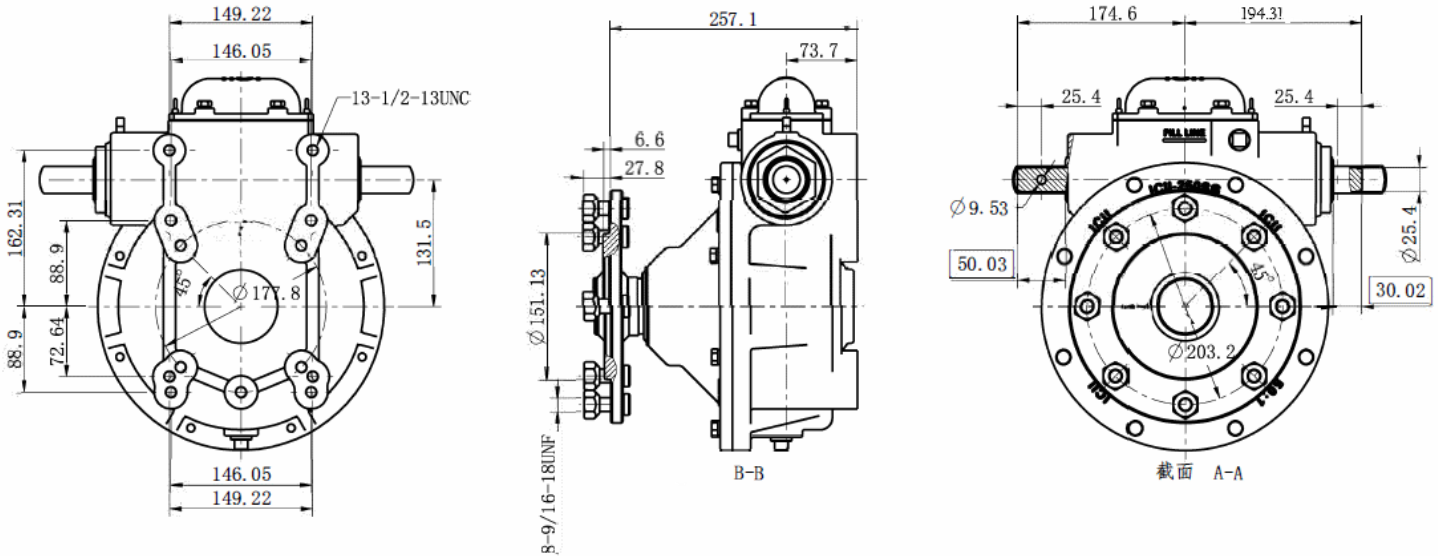
The ICII Gearbox

Super Series Gearbox

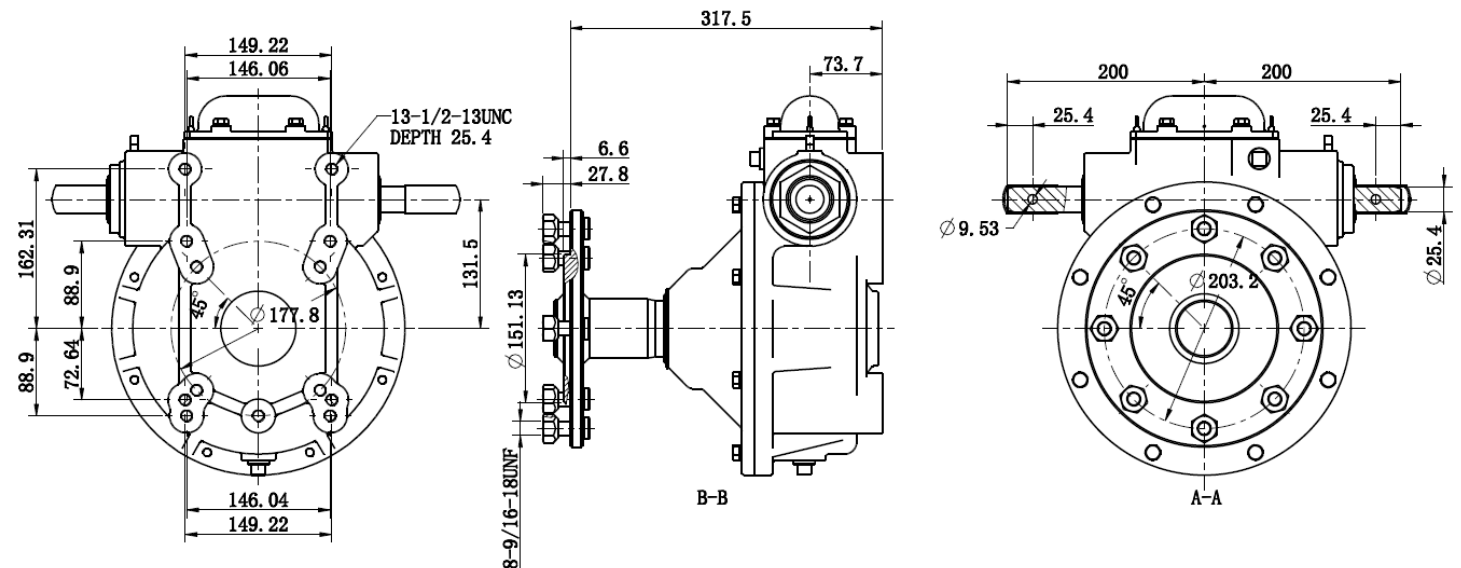
50:1 Short Shaft Gearbox

52:1 Long Shaft Gearbox

50:1 Gearbox



52:1 Gearbox



(251) 626-5470

icii@irricomp.com

www.irricomp.com

www.iciigears.com