



2019 PARTS CATALOG



WWW.IRRICOMP.COM | WWW.ICIGEARS.COM | WWW.HYDRUSCONTROLS.COM

CONTACT YOUR LOCAL BRANCH

MAIN OFFICE

27548 World Court
Daphne, AL 36526
251.626.5470
southeast@irricomp.com

GREAT LAKES REGION

308.380.1378
greatlakes@irricomp.com

IDAHO LOCATION

2698 Lakeview Road
American Falls, ID 82311
Sales Contact 509.492.0846
208.417.7575
idaho@irricomp.com

MIDWEST LOCATION

3721 Arch Avenue
Grand Island, NE 68803
308.381.1509
midwest@irricomp.com

NORTHWEST LOCATION

4225 N Capitol Avenue
Pasco, WA 99301
509.492.0846
northwest@irricomp.com

SOUTHEAST LOCATION

2718 Marshall Drive
Tifton, GA 31793
Sales Contact 251.232.0038
229.223.5582
southeast@irricomp.com

SOUTHWEST LOCATION

222 Hwy 89 Frontage Road
Lubbock, TX 79403
806.640.7140
southwest@irricomp.com



IRRI-Gator™ NPT

MISSION STATEMENT

To provide our customers with high quality products and outstanding customer service at a fair price.

VALUE STATEMENT

To operate with honesty, integrity and professionalism with our customers, suppliers and people.

To our customers and suppliers: We promise to strive to exceed your expectations, conduct business in a professional, responsible manner and act in your best interest by listening and being responsive to your needs.

To our people: As our most valuable asset, we will provide a challenging employment opportunity where common goals are achieved. We will work as a team with respect, courtesy and mutual support, providing the necessary tools to accomplish our goals. We will maintain a balance between family and work by being responsible in our personal affairs and accountable for our job performance.

PAYMENT TERMS, PROPRIETARY INFORMATION & WARRANTY

TERMS OF SALE

- The standard open account terms are 3% – 15 Days or Net 30 from date of invoice.
- A service charge of 1.5% per month will be charged on all past due invoices.
- Past due invoices may cause termination of open account status.

DELIVERY TERMS

- The standard delivery terms are FOB Point of Shipment, unless otherwise specified.

SHIPPING CLAIMS

- Claims for “in-transit” damage, such as shortages of cartons/pallets and/or damage to cartons/pallets, should be made to the carrier.
- Any visible damage to the packaging at the time of delivery and/or shortages of cartons/pallets must be noted on the bill of lading.
- All communications with the carrier should be in writing.

SHORTAGES AND DISCREPANCY CLAIMS

- Shipments must be inspected and claims for pricing errors, shortages or damages, not caused by the carrier, must be made in writing within five days of delivery.
- Claims must include the invoice number, invoice date, part number and a quantity.

RETURN OF MERCHANDISE

- Written “Authorization to Return” must be obtained from ICI before returning merchandise. ICI assumes no responsibility for goods returned without such authorization.
- The request for return should include the related invoice date, invoice number, part number, quantity to be returned and a brief description of the problem.
- Unless otherwise specified, all returned goods must be shipped on a prepaid freight basis or shipment will not be accepted.
- All returned products are subject to a 15% restocking fee and must be current production items and in new condition.
- No special order returns.
- No wire returns.

PRICE CHANGES

- Prices are subject to change without notice, however we will make every effort possible to give advance notice on price changes.
- All information submitted by ICI is furnished for our dealers’ knowledge and information.

- This information is highly confidential and shall not be used by the dealer, nor disclosed to any third party, without written consent of ICI. A breach of this confidence could cause ICI commercial damages if disclosed to third parties.

WARRANTY

- Products distributed by ICI are guaranteed only to the extent of the original manufacturer which generally covers defects due to materials and workmanship on a replacement basis, FOB factory.
- The warranty shall apply to and/or be limited to the original purchaser of any product manufactured by ICI. Any product found defective due to material workmanship will be repaired or replaced at the option of ICI, free of charge, FOB the facility in Daphne, Alabama within a period of one (1) year from the date of delivery, unless otherwise stated.
- Repairs or modifications made by someone other than ICI or their authorized representatives shall render this warranty null and void, unless approval is given in writing. In the case of a claim under this warranty, the claimant is instructed to contact an ICI branch and provide identification or description of the product, the date of delivery, invoice number and the nature of the problem.
- The warranty provided above is the only warranty made by ICI with respect to its products or any parts thereof and is made expressly in lieu of any other warranties, by course of dealing, usage of trade or otherwise expressed or implied, including but not limited to any implied warranties of fitness for any particular purpose or of merchantability under the uniform commercial code. It is agreed this warranty is in lieu of and buyer hereby waives all other warranties, guarantees or liabilities arising by law or otherwise. Seller shall not incur any other obligation or liabilities or be liable to buyer, or any customer of buyer for any anticipated or lost profits incidental or consequential damages, or any other losses or expenses incurred by reason of the purchase, installation, repair, use or misuse by buyer or third parties of its products (including any parts repaired or parts replaced); and seller does not authorize any person to assume for seller any other liability in connection with the products or parts thereof. This warranty cannot be extended, altered or varied except by a written instrument signed by seller and buyer. ICI reserves the right to make improvements in design and material without prior notice to the trade.
- All sales and all agreements in relation to sales shall be deemed made at the manufacturer’s place of business in Daphne, Alabama, and any dispute arising from any sale or agreement shall be interpreted under the laws of the State of Alabama.



ICI Helical

3/4 HORSEPOWER HELICALS

34 RPM, 50:1 Gear Ratio

43 RPM, 40:1 Gear Ratio

1-1/2 HORSEPOWER HELICALS

57 RPM, 30:1 Gear Ratio

68 RPM, 25:1 Gear Ratio

3-YEAR WARRANTY

- Inverter duty, VFD suitable
- Improved water-tight seal
- Heat-dissipating, finned frame
- Thermally protected
- Greater load bearing capacity



PART #	MODEL	RPM	HP	VOLTS AC	AMP	HZ	PHASE
1014814250	ICI-7534H	34/28	0.75/0.6	460/380	1.5	60/50	3
1014814251	ICI-7543H	43/35	0.75/0.6	460/380	1.5	60/50	3
1014814252	ICI-1557H	57/47	1.5/1.2	460/380	2.4	60/50	3
1014814253	ICI-1568H	68/56	1.5/1.2	460/380	2.4	60/50	3



ICI Helical Gearmotor

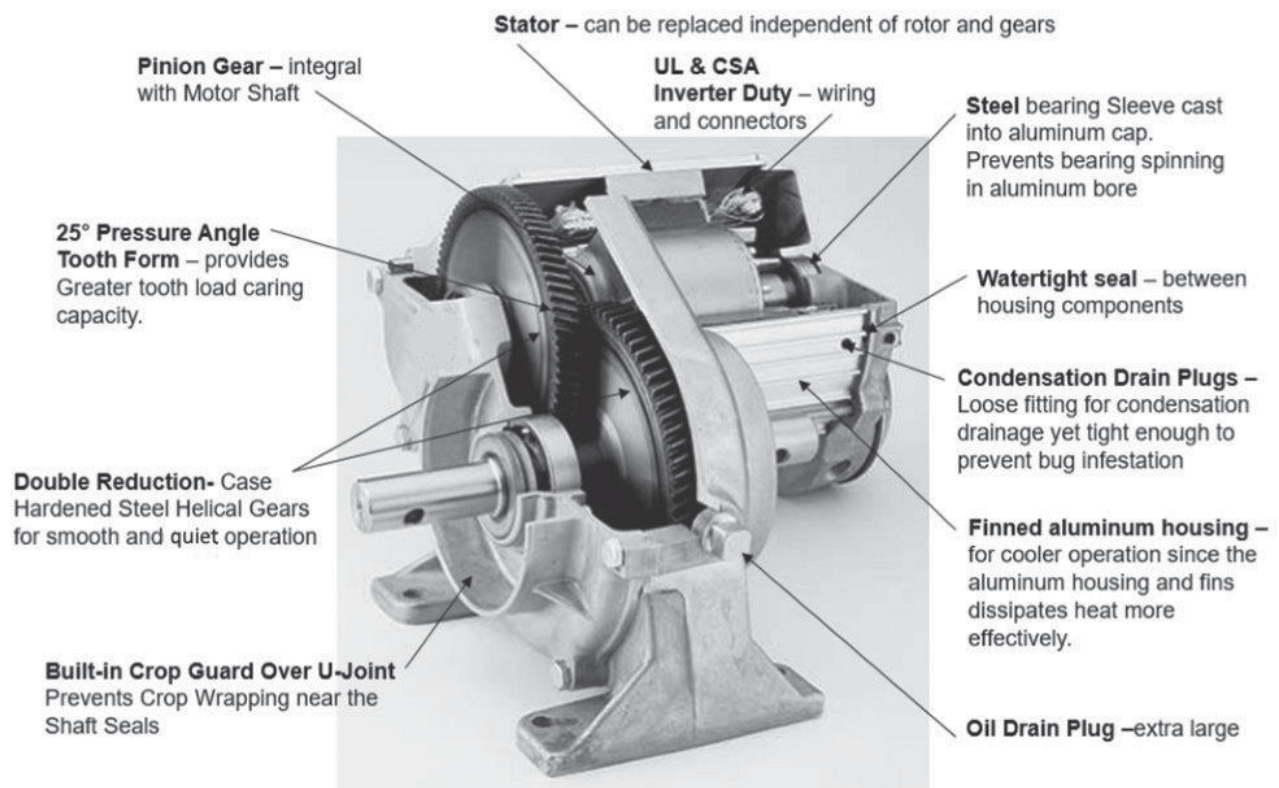
3/4 & 1-1/2 HORSEPOWER OFFERINGS

34 RPM • 50:1 Gear Ratio

43 RPM • 40:1 Gear Ratio

57 RPM • 30:1 Gear Ratio

68 RPM • 25:1 Gear Ratio





ICI Stator

L-STYLE

3/4 HP Stator
1-1/2 HP Stator

V-STYLE

3/4 HP Stator
1-1/2 HP Stator

1-YEAR WARRANTY



- Inverter duty, VFD suitable
- Improved water-tight seal
- Heat-dissipating, finned frame
- Thermally protected
- Two styles — fits most common gears

PART #	MODEL	RPM	HP	VOLTS AC	AMP	HZ	PHASE
1015814350	ICI-75MV	1750/1455	0.75/0.6	460/380	1.5	60/50	3
1015814351	ICI-75ML	1750/1455	0.75/0.6	460/380	1.5	60/50	3
1015814352	ICI-15MV	3500/2910	1.5/1.2	460/380	2.4	60/50	3
1015814353	ICI-15ML	3500/2910	1.5/1.2	460/380	2.4	60/50	3



DRIVE TRAIN

ICI Gearbox STANDARD DUTY SERIES

50:1 Short Shaft

52:1 Long Shaft

3-YEAR WARRANTY

- API cartridge input/output seals
- Oversized bearings on input shaft to handle higher loads
- Universal bolt mounting pattern
- 2-1/4" (5.72 cm) high strength steel output & input shaft
- Filled with premium GL5 Mobile® Gear Oil
- Premium tapered bearings
- Ductile iron input shaft end caps
- Designed to withstand 11,500 lbs (5200 kgs) tower weight, with 60% on one wheel



PART #	MODEL	DESCRIPTION
1011814150	ICI-150GB	50:1 Short Shaft, Standard Duty Gearbox, Non-tow
1011814151	ICI-152GB	52:1 Long Shaft, Standard Duty Gearbox, Non-tow



ICI Gearbox SUPER DUTY SERIES

50:1 Short Shaft

52:1 Long Shaft

3-YEAR WARRANTY

- Oversized gears, bearings & housing for extreme field conditions
- Dual input shafts made from hot forged steel
- 2-1/2" high alloy steel output shaft
- Filled with Premium GL5 Gear Mobile® Oil
- Cartridge type seals on input & output shafts
- Vented external expansion chamber with rubber diaphragm



PART #	MODEL	DESCRIPTION
1011814250	ICI-250SS	50:1 Short Shaft, Super Series Gearbox, Non-tow
1011814252	ICI-252SS	52:1 Long Shaft, Super Series Gearbox, Non-tow



DRIVE TRAIN

ICI Gearbox BRONZE GEARBOX

50:1 Short Shaft

52:1 Long Shaft

3-YEAR WARRANTY

SUPERIOR ENGINEERING & FEATURES

- Designed for corner arms, linear carts and heavy spans
- Bronze bull gear with steel alloy worm gear
- API cartridge input/output seals
- Oversized bearings on input shaft to handle higher loads
- 2-1/4" (5.72 cm) high strength steel input/output shaft
- Premium tapered bearings



PART #	MODEL	DESCRIPTION
1011814350	ICI-350GB	50:1, Short Shaft, Bronze Gearbox, Non-tow
1011814352	ICI-352GB	52:1, Long Shaft, Bronze Gearbox, Non-tow

Sprinkler Lube®

- Superior anti-wear protection
- Excellent extreme pressure protection against gear scoring
- Superior rust and corrosion protection
- Less oil leakage
- Water resistance
- Less downtime
- Longer seal life

Sprinkler Lube



PART #	DESCRIPTION
4011511005	Sprinkler Lube 1200 – 35# Pail
4011511004	Sprinkler Lube 1200 – 120# Keg
4011511006	Sprinkler Lube 1200 – 400# Drum

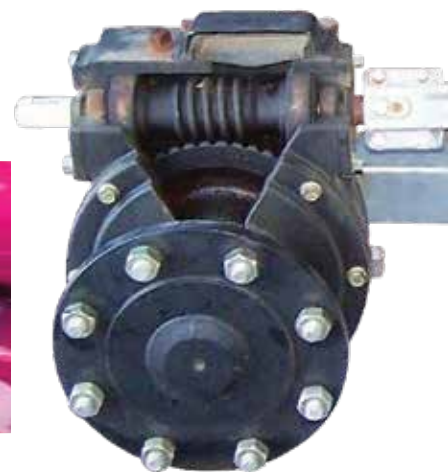
SEE THE DIFFERENCE

Both gearboxes were stored outside and covered for **THREE YEARS**.

Stored with Standard Oil



Stored with Sprinkler Lube 1200





U.S. Motors®



GEAR MOTOR MODULES

- Top quality gear motors from the most experienced American manufacturer of center pivot gearmotors
- Designed to operate in extreme environments, the gear motor has a corrosion resistant housing and incorporates an inherent overload protection of the motor
- Simplicity, flexibility and reliability
- All motors are factory tested before packaging
- Maximum quality control

PART #	DESCRIPTION
1015105050	1 HP Motor Module, 460/380 Volts, 60/50 Hz, A726PE
1015105051	1-1/2 HP Motor Module, 460/380 Volts, 60/50 Hz, A728PE



GEAR MOTOR

- 460/380 Volt, 3-phase, 60/50Hz
- Special Corro-Guard insulation for longer motor life
- Stainless steel motor frame for corrosion resistance
- Motor is thermally protected
- Splined motor/gearbox design

PART #	DESCRIPTION
1014105040	31:1 Ratio, 56 RPM, 1-1/2 HP Motor, A799PE
1014105042	58:1 Ratio, 30 RPM, 1 HP Motor, 7843PE
1014105043	47:1 Ratio, 37 RPM, 1 HP Motor, A856PE
1014105044	39:1 Ratio, 45 RPM, 1 HP Motor, F463PE
1014105045	21:1 Ratio, 84 RPM, 1-1/2 HP Motor, E612PE

U.S. MOTOR NEMA 56C IRRIGATION MOTOR

- Fits on any NEMA 56C flanged center drive gearbox
- Stainless steel motor frame for corrosion resistance
- Corro-Guard insulation for longer motor life
- Motor is thermally protected

PART #	DESCRIPTION
1015105052	1.0 HP NEMA C-FACE 56-C, 1800 RPM, 5622PE
1015105053	1.5 HP NEMA C-FACE 56-C, 1800 RPM, 5624PE

Driveline Couplers



ICI GEAR COUPLER

- Three-year warranty
- Cast aluminum body
- Thermoplastic polyurethane puck
- Made from same materials as other brands on the market

PART #	DESCRIPTION
1017953100	ICI Gear Coupler 1" X 7/8" Square
1017953010	Drive Line Coupler Insert Puck



BLACK MAX COUPLER™

- Constructed with a heat-treated anodized aluminum body
- Universal design (fits 3/4" – 7/8" – 1")
- Pre-assembled for easy, one-size wrench installation
- In-flex thermoplastic disc is 30% more flexible than competitive brands
- In-flex technology keeps gearboxes and center drives running longer

PART #	DESCRIPTION
1017430010	Universal Coupler, Torque Tough



UNIVERSAL DRIVE LINE COUPLER

- The rubber disc is 5" diameter & all hardware is grade 5; it absorbs shock from the gearmotor to the wheel drive
- The ends can be ordered to fit most any center pivot drive line
- The round end is split for easy installation and a tight fit
- The disc allows for some misalignment on the drive line

PART #	DESCRIPTION
1017430005	Universal Drive Line Coupler, Mini V-Mount

Drive Line Coupler Bell Ends & Drive Shaft Shields



- Durable, high quality plastic drive coupler shields (bell ends) will not crack like the competition
- Color coded based on the drive shaft size
- Black bell end for 3/4" and gray for 7/8"
- Drive shaft shields are also color coded for easy identification: black for 3/4" and gray for 7/8" drive shafts
- Clamps are not needed to hold the bell ends and shaft covers in place
- Drive shaft covers are available in custom lengths (must be specified at time of ordering)

PART #	DESCRIPTION
1012210006	Bell, Small Gray
1012210008	Bell, Small Black
1012210002	Shield, 60", Gray, for 7/8" Drive Shaft
1012210001	Shield, 54", Gray, for 7/8" Drive Shaft
1012210005	Shield 76.62", Black, for 3/4" Drive Shaft
1012210003	Shield, 70", Gray, for 7/8" Drive Shaft

TIRE & WHEELS



PART #	DESCRIPTION
COMPLETE ASSEMBLIES	
8073000124	ASSEMBLY – 11.2" x 24" – 8-Ply with Tube, R1, Mounted on 8" x 24" Galvanized Rim, with Stem Guard, Load Rating 2,700 lbs
8073000140	ASSEMBLY – 14.9" x 24" – 8-Ply with Tube, R1, Mounted on 10" x 24" Galvanized Rim, with Stem Guard, Load Rating 3,880 lbs
8073000130	ASSEMBLY – 11.2" x 38" – 6-Ply with Tube, R1, Mounted on 10" x 38" Galvanized Rim, with Stem Guard and Reinforced Center, Load Rating 2,530 lbs
8073000131	ASSEMBLY – 11.2" x 38" – 10-Ply with Tube, R1, Mounted on 10" x 38" Galvanized Rim, with Stem Guard and Reinforced Center, Load Rating 3,784 lbs
8073000132	ASSEMBLY – 11.2" x 38" – 10-Ply with Tube, NON-DIRECTIONAL, Mounted on 10" x 38" Galvanized Rim, with Stem Guard and Reinforced Center, Load Rating 4,400 lbs
NON-PNEUMATIC ASSEMBLIES	
8073348120	ASSEMBLY – 11.2" x 38" – IRRI-Gator, NPT, DIRECTIONAL, 10" x 38" Universal Rim
8073348121	ASSEMBLY – 11.2" x 38" – IRRI-Gator, NPT, NON-DIRECTIONAL, 10" x 38" Universal Rim
8073045001	CHIEF PIVOT WALKER®, Powder Coated, Maximum Weight 5,000 lbs (Made in USA)
GALVANIZED RIM ONLY	
8075101004	RIM ONLY – 8" x 24" Galvanized, 8-Hole, with Stem Guard
8075101003	RIM ONLY – 10" x 24" Galvanized, 8-Hole, with Stem Guard
8075101001	RIM ONLY – 10" x 38" Galvanized, 8-Hole, Reinforced Center, with Stem Guard

2300V Main Control Panel



The HYDRUS 2300V is designed to work with all existing pivot safety systems.

- Familiar internal electrical components and wiring layout
- Volt and hour meters
- Switches: forward/reverse, wet/dry, auto end gun, start/stop and pump control
- Integrated V-style auto-stop/auto-reverse
- 3-second delay circuit boards included



PART #	DESCRIPTION
3048300367	Hydrus 2300V Main Control Panel, Basic Model, Standard Features, UL Approved

- Panel – 32" x 20" x 11.5"
- Carton – 38.5" x 27.5" x 15"
- Approximate Weight – 110 lbs

ADDITIONAL OPTIONS	
2034732002	Low Temperature Shutdown
3052300622	Low Pressure Shutdown
3052300623	Auto Restart
3052300626	Auto Start / Auto Shutdown Kit for 2300V



2300 & 2000 Main Control Panel



STANDARD FEATURES

- Hour meter
- Switches: forward/reverse, wet/dry, pump control, auto reverse, end gun and heavy duty disconnect
- 3-1/2" voltmeter, 0-600 volts
- Additional inner door lock
- Powder coated, baked epoxy enclosure
- 2 additional auxiliary switches – 2300 model only
- End tower indicator light – 2300 model only

PART #	DESCRIPTION
3048300360	Hydrus 2300 Main Control Panel, Basic Model, Standard Features, UL Approved

- Panel – 32" x 20" x 11.5"
- Carton – 38.5" x 27.5" x 15"
- Approximate Weight – 110 lbs

ADDITIONAL OPTIONS	
2034732002	Low Temperature Shutdown
3052300602	Low Pressure Shutdown
3052300603	Auto Restart
3052300606	Auto Start/Auto Shutdown for 2300 & 2000 Panels
3052300609	Stop in Slot
3052300620	Auto Reverse, End of Pivot



PART #	DESCRIPTION
3048300380	Hydrus 2000 Main Control Panel, Basic Model, Standard Features, UL Approved

- Panel – 24" x 20" x 11.5"
- Carton – 30.5" x 27.5" x 15"
- Approximate Weight – 100 lbs

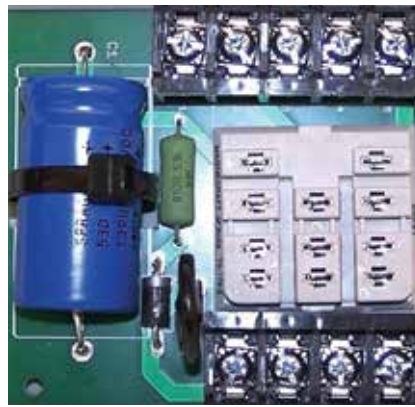
ADDITIONAL OPTIONS	
2034732002	Low Temperature Shutdown
3052300602	Low Pressure Shutdown
3052300603	Auto Restart
3052300606	Auto Start/Auto Shutdown for 2300 & 2000 Panels
3052300609	Stop in Slot
3052300820	Auto Reverse, End of Pivot



V-Style Control Boards



The Hydrus Three-Second Delay Board and Auto-Stop, Auto-Reverse Board are easily installed in most control panels. As OEM replacements, they have a familiar wiring layout and electrical components.



Three-Second Delay Board



Auto-Stop, Auto-Reverse Board

PART #	DESCRIPTION
2021806010	PCB, 3 Second Safety Delay, Valley Style
2021806011	PCB, Auto-Stop, Auto-Reverse Socket Board, Valley Style

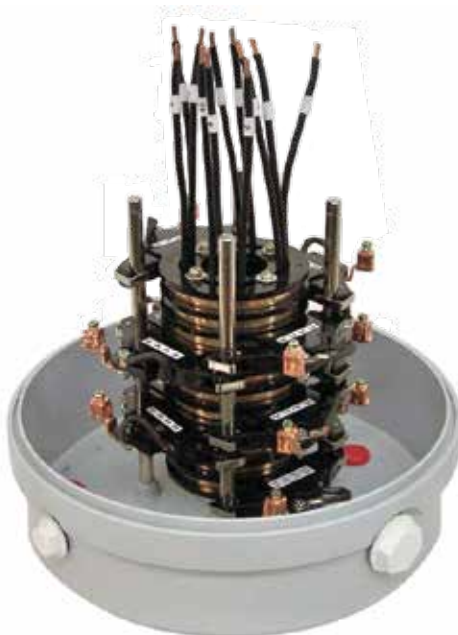
Collector Rings

ICI design and quality – don't be fooled by imitations.

FEATURES

- New aluminum cover adds greater impact resistance and is interchangeable with original plastic cover
- Specially designed cover latches
- UL listed to ensure safety and quality
- Large copper brushes are 80% copper and 20% graphite for less resistance
- 11 to 13 rings standard
- Wires are numbered and/or color coded for easy identification
- Greaseable Zerk fitting in the base stops shaft seizure
- Heavy duty die-cast aluminum base is more durable than the competition's plastic base
- J-Pipe conversion kits available

ADDITIONAL OPTIONS	
3022300100	10 Conductor Collector Ring
3022300110	11 Conductor Collector Ring
3022300120	12 Conductor Collector Ring
3022300130	13 Conductor Collector Ring



Collector Rings



PART #	DESCRIPTION
3022812002	10 Conductor Collector Ring
3022812001	11 Conductor Collector Ring
3022812005	12 Conductor Collector Ring
3022812006	13 Conductor Collector Ring

IRRIGATION SLIP RING ASSEMBLY FEATURES AND BENEFITS

Irrigation Slip Ring Assembly Features and Benefits

Tough ABS molded cover and base with UV inhibitor, NEMA 3R rated for corrosion and weather protection. Gray color.

Mounting screws with nuts included to easily attach positioning device, now or later.

Copper Alloy Rings for positive contact and long life.

Durable fiberglass-reinforced nylon ring insulators eliminates chipping and cracking. Rated at 600 volts.

Large brush lead terminal block with brass barrels.

Plated steel 1/2" NPT hub for pivot lighting wires.

Plated shaft and weather seal 1" NPT internal threads.

Pre-stripped ring leads for easy field wiring. Connectors included (leads not shown).

Durable bronze oilite upper bearing for trouble-free operation.

Unitized Brush Carriage not a collection of loose parts that can fall out of adjustment.

Copper Graphite brushes 35 amp rated. Held firmly to the ring with stainless steel holders. No hardware to come loose. Brushes last 600+ million revolutions.

Easy to use cover latch completely eliminates the need for loose hardware.

Hardened Aluminum lower bearing completely protected within enclosure.

Plated steel 1" NPT hub If hub ever becomes damaged, it can easily be replaced. Not so with molded-in hubs.



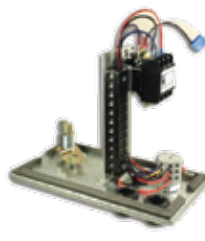
V-Style Tower Boxes



INTERMEDIATE



STALL BOX



END BOX



END / BOOSTER

PART #	DESCRIPTION
3049300103	Intermediate Tower Box
3049300203	Stall Tower Box
3049300303	End Tower Box
3049300403	End Tower/Booster Pump Tower Box
3049300503	Junction/Splice Tower Box
3049300803	Auto Stop/Auto Reverse Tower Box
2049722013	Tower Box Lid Only with Latches

Z-Style Tower Boxes



INTERMEDIATE



STALL BOX



END BOX



BOOSTER

PART #	DESCRIPTION
3061300102	Intermediate Tower Box
3061300202	Stall Tower Box
3061300302	End Tower Box
3061300505	Booster Box with Pressure Switch
3061300502	Booster Pump Tower Box
3061300700	End/Booster Combo Box
3052300612	Stainless Steel Linkage Kit
2049722005	Tower Box Lid Only with Latches

Tower Box Conversion Kits



Hydrus tower box conversion kits allow you to update your old tower box controls. Our kits come with everything you need for an easy installation.

- Made in the USA
- V-Style tower boxes are UL approved
- All galvanized tower box and alignment arm keeper mount
- Kit includes everything needed for the conversion
- V-Style tower boxes come with stiffener bracket as standard

The kits listed in our catalog include the V-Style Tower Box, mounting bracket, the alignment rod, the alignment rod keeper bracket and all mounting hardware. The end tower kit only includes the necessary tower box mounting bracket and required hardware for installation. These bolt-on kits allow you to mount the tower box and alignment arm keeper mounts without having to modify or weld on the existing structure.

PART #	DESCRIPTION
3047300102	Intermediate – Bolt-On Conversion Kit, includes Tower Box
3047300202	Stall – Bolt-On Conversion Kit, includes Tower Box
3047300302	End – Bolt-On Conversion Kit, includes Tower Box
3047300400	Booster Pump / End – Bolt-On Conversion Kit, includes Tower Box

Booster Pumps



6066430003



6066430006



6066430010



6066430008

PART #	DESCRIPTION
6066430003	Hydrus Booster Pump, 2 HP with Volute and SS Impeller Leeson TEFC Motor Model 112921, 2 HP, 130 GPM
6066430004	Hydrus Booster Pump, 2 HP without Volute, with SS Impeller Leeson TEFC Motor Model 112921, 2 HP, 130 GPM
6066430006	Hydrus Booster Pump Motor only, 2 HP Leeson Model 112991, TEFC, 3 PH, 60 Hz, 3450 RPM, 460V
6066430008	Hydrus Booster Pump, 2 HP with volute and SS Impeller, Bluffton TEFC Motor, 130 GPM, Model #1313007404
6066430009	Hydrus Booster Pump, 2 HP without Volute, SS Impeller, Bluffton TEFC Motor, 130 GPM, Model 1313007404
6066430010	Hydrus Booster Pump Motor Only, 2 HP Bluffton TEFC, 3 PH, 60 Hz, 3450 RPM, 460V, Model 1313007404
6000013106	Berkeley Booster Pump, 2 HP with Volute, Model C2MPS
2099013101	Pentek Motor only, 2 HP
2099013102	Mechanical Seal for 2 HP Berkeley Booster Pump

Hydrus Contactors



2024778010



2024778020

- Compact size
- Quiet operation
- Interchangeable mounting on durable metal back plastic
- Optional din rail mounting
- Meets ARI – 782, UL C5AM CE and Sasso Standards
- 500,000 endurance life cycle tested

PART #	DESCRIPTION
2024778010	Contactors, Hydrus DP, 3-Pole, 30 Amp, 120V Coil
2024778020	Contactors, Hydrus DP, 4-Pole, 40 Amp, 120V Coil



PART #	DESCRIPTION
2024778030	Contactors, Hydrus DP, 3-Pole, 40 Amp, Reverser, 120V, 1 NO + 1 NC

Contactors



2024697007



2024819101

PART #	DESCRIPTION
2024697007	Contacteur, Schneider, IEC 3-Pole, 9 Amp, 120V Coil, 1 NO + 1 NC, LC1D09G7
2024697008	Contacteur, Schneider, IEC 3-Pole, 12 Amp, 120V Coil, 1 NO + 1 NC, LC1D12G7
2024740009	Contacteur, Eaton, DP 3-Pole, 25 Amp, 120V Coil, C25DND325A
2024819101	Contacteur, Eaton, 3-Pole, 30 Amp, 120V, C252DND330A

Reversing Contactors



2024697009



2024697010

PART #	DESCRIPTION
2024697009	Reversing Contacteur, IEC 25 Amp, 15 HP Din Rail Mount, with 1 NO + 1 NC Contacts, LC2D25F7
2024697010	Reversing Contacteur, IEC, 32 Amp, 20 HP, Din Rail Mount, with 1 NO + 1 NC Contacts, LC2D32F7
2024230203	Contacteur, 30 Amp, 4-Pole, 120 V Coil, with Reversing Mechanical Interlock, 50/60 Hz, CR55AD*AA

Hourmeters

PART #	DESCRIPTION
2028737001	Hourmeter, LCD Display, 120V, 50/60 Hz, Reddington, 3410-1000



Voltmeters

PART #	DESCRIPTION
2045211002	Voltmeter, 0-600 Volts, 3-1/2", ST90351
2045211001	Voltmeter, 0-600 Volts, 2-1/2"



Overwatering Timers

PART #	DESCRIPTION
2041695005	Timer, Overwatering (Stall) 0-60 Minutes, Solid State, Standard Start, BRE10A6
2041695004	Timer, Overwatering (Stall) 0-60 Minutes, Solid State, Reverse Start, BRE10A601
2041695006	Timer, Overwatering (Stall) 0-30 Minutes, Solid State, Reverse Start, BRE9A601
2041695007	Timer, Overwatering (Stall) 0-5 Minutes, Solid State, Reverse Start, BRE7A601
2041726005	Timer, Overwatering, Macromatic, 0.6-60 Minutes, 120 VAC, 10 Amp SPDT with Memory, RT26A-16, E109466



Percentage Timers



PART #	DESCRIPTION
2041695101	Percentage Timer, 30 Second, CYCL-Timer, Eagle, 120 VAC, CT402S48A6
2041695102	Percentage Timer, 60 Second, CYCL-Timer, Eagle, 120 VAC, CT403S48A6
2041726002	Percentage Timer, 60 Second, Memory, Macromatic 120VAC, PTA2001M



ELECTRICAL



2031241002



2031241004



2031270001

Microswitches

PART #	DESCRIPTION
2031241001	Microswitch, Short Arm Adjustable, BZ-2RW82299-A2
2031241002	Microswitch, Long Arm, Black Body, Lindsay Style, BZ-7RW82132T-S
2031241005	Microswitch, Long Arm, Brown Body, Lindsay Style, BZ-7RW8255505112-PC2
2031241003	Microswitch, Short Arm, Adjustable, Black Body, Valley Style, BZ-3RW8995516-PCS-S
2031241004	Microswitch, Short Arm, Adjustable, Brown Body, Valley Style, BZ-3RW8995518-PC2-S
2031270001	Microswitch, Short Arm (L640-076), Wire Alignment, Lockwood, BZ-7RW80189-A2
2031241007	Microswitch, Non-Wire Alignment, Lockwood, BZ-2RW80147-A2
2031241009	Microswitch, Long Arm, Adjustable, Lindsay Style, BZ-3RW899550517PC2-S

Tower Disconnect Switches

PART #	DESCRIPTION
2035724001	Tower Disconnect Switch, L-Style / V-Style Tower Box



Toggle Switches

PART #	DESCRIPTION
2042270001	Toggle Switch, 2-Position, On/Off, SPST, 77501K15
2042270002	Toggle Switch, Maintain 2-Position, On/On, DPDT, 7592K8
2042270003	Toggle Switch, Spring Return, DPDT, 6 Amp, Momentary Toggle, 7570K7
2042270004	Toggle Switch, 2-Position, On/On, DPDT, 7564K6
2042270005	Toggle Switch, 3-Position, On/Off/On, DPDT, 7563K6
2042270006	Rocker Switch, DPDT, Momentary On, Eaton, 8006K52N1V2

Limit Switches

PART #	DESCRIPTION
2030241001	Limit Switch, 360° Rotary SPDT, Alternate Action (Switch Only), LSQ300
2030241007	Actuator Rod for Limit Switch, 13" Radius, Stainless Steel Rod/Lever, LSZ54N
2030241008	Roller Lever, Front Mount, LSZ51B
2030241002	Limit Switch, Double Brake Side Rotary Style, Levers Not Included, LSA3K
2030241003	Limit Switch, Whisker Style 5.5", LSK3K-8A
2030241010	Actuator, Windmill (2-Spoke Style – 4-Halves), LSZ69CA
2030241005	Actuator Rod, Windmill (4-Spoke Style – 8-Halves), LSZ69DA

ELECTRICAL



2033200001



2033260003



2033200002



2033200003



2033203004



2033200004

Pressure Switches

PART #	DESCRIPTION
2033200001	Pressure Switch, 10-250 PSI, Barksdale, E1S-H250
2033260003	Pressure Switch, 6-30 PSI, Adjustable, Nason, SQ-2
2033200002	Pressure Switch, 0-90 PSI, Barksdale, E1S-H90
2033200003	Pressure Switch, 0.5-15 PSI, Barksdale, E1S-H15
2033200004	Pressure Switch, 0.5-15 PSI, Enclosed, Barksdale, H-H15
2033200005	Pressure Switch, 0-90 PSI, Manual Reset, Barksdale, E1S-G90-RD
2033200006	Pressure Switch, 9.6-90 PSI, Manual Reset, Enclosed, Barksdale, E1H-G90-RD
2033200007	Pressure Switch, 0-250 PSI, Enclosed, Barksdale, E1H-250

Phase Converters

PART #	DESCRIPTION
2047741005	Phase Converter, 5 HP ODP
2047741007	Phase Converter, 7.5 HP ODP
2047741002	Phase Converter, 10 HP ODP
2047741006	Phase Converter, 5 HP TEFC
2047741008	Phase Converter, 7.5 HP TEFC
2047741003	Phase Converter, 10 HP TEFC



Relays

PART #	DESCRIPTION
2034270005	Latching Relay, DPDT, 120 VAC, 10 Amp, 11-Blade (Auto Reverse), KUL-11A15S-120
2034697001	Power Relay, GP, DPDT, 120 VAC, 30 Amp, 50/60 Hz, 8501CO16V20
2034697004	Power Relay, SPDT, 24 VAC, 25 Amp, 8501CO15V14
2034697003	Power Relay, SPDT, 12 VAC, 25 Amp, 8501CO15V36
2034697007	Power Relay, DPST, 1 HP, 120 VAC, 25 Amp, 8501CO7V20
2034270009	Relay, General Purpose, DPDT, 120 VAC, 600V
2034270010	Power Relay, 3PDT, 120 VAC, 10 Amp, 11-Blade, Plug-in
2034270011	Cube Relay, DPDT, 120V DC, 10 Amp, Plug-In (Enclosed) 8-Blade, KUP-11D15-012
2034270012	Cube Relay, DPDT, 110V DC, 10 Amp, Plug-In, 8-Blade, 3 Second Delay, KUP-11D15-110
2034742001	Relay, RBM, SPDT, 120V
2034697006	Kill Relay, 120V, 40 Amp, SPDT



Sockets

PART #	DESCRIPTION
2037270006	Socket 8-Pin, Octal, 600V, 10 Amp, OT08PC / SR2P-06
2037270002	Socket, 11-Blade Din Rail, ST11-PC
2037270003	Socket, 11-Pin, Octal, 300V, 10 Amp, OT11-PC / SP3P-05

Tower Strobe Lights & Light Kits

The Standard End Tower Light Kit comes complete with the flange adapter, extended gooseneck, shielded cable, globe assembly and rough duty light bulb.

The Strobe End Tower Light Kit comes with the above parts and a specified, colored bulb.

PART #	DESCRIPTION
END TOWER LIGHT KIT ASSEMBLY	
3020300600	End Tower Light Kit, Standard Rough Duty Bulb
3020300702	End Tower Light Kit, Strobe Light, Blue
3020300703	End Tower Light Kit, Strobe Light, Clear
3020300704	End Tower Light Kit, Strobe Light, Green
3020300705	End Tower Light Kit, Strobe Light, Purple
3020300706	End Tower Light Kit, Strobe Light, Red
STROBE LIGHT REPLACEMENT BULBS	
2032698001	Strobe Light, Amber
2032698002	Strobe Light, Blue
2032698003	Strobe Light, Clear
2032698004	Strobe Light, Green
2032698005	Strobe Light, Purple
2032698006	Strobe Light, Red



Fuses & Fuse Holders

(Specify amperage when ordering)



PART #	DESCRIPTION
FLQ001- FLQ0030	Fuse 1-30 Amp 500 Volt
FLSR002 - FLSR030	Fuse 2-30 Amp 600 Volt
FLSR035 - FLSR060	Fuse 35-60 Amp 600 Volt
FLSR070 - FLSR100	Fuse 70-100 Amp 600 Volt
FLSR110- FLSR200	Fuse 110-200 Amp 600 Volt
FLSR225 - FLSR400	Fuse 225-400 Amp 600 Volt
FLSR450 - FLSR600	Fuse 450-600 Amp 600 Volt
CCMR02- CCMR30	Fuse 2-30 Amp 600 Volt Class CC Power Pro
JTD010ID-JTD250ID	Fuse 100-250 Amp 600 Volt Class J
2023270124	3 Pole, Class M Fuse Holder, BMM603-3PQ
2023270125	2 Pole, Class M Fuse Holder, BMM603-2PQ
2023270126	3 Pole, Class CC Fuse Holder, BCM603-3PQ
2023270127	2 Pole, Class CC Fuse Holder, BCM603-2PQ

ELECTRICAL

Lightning Arrestors

PART #	DESCRIPTION
2029745001	Lightning Arrestor, 4-Wire 3-Phase, 0-650 Volts, 36" Leads, LA603



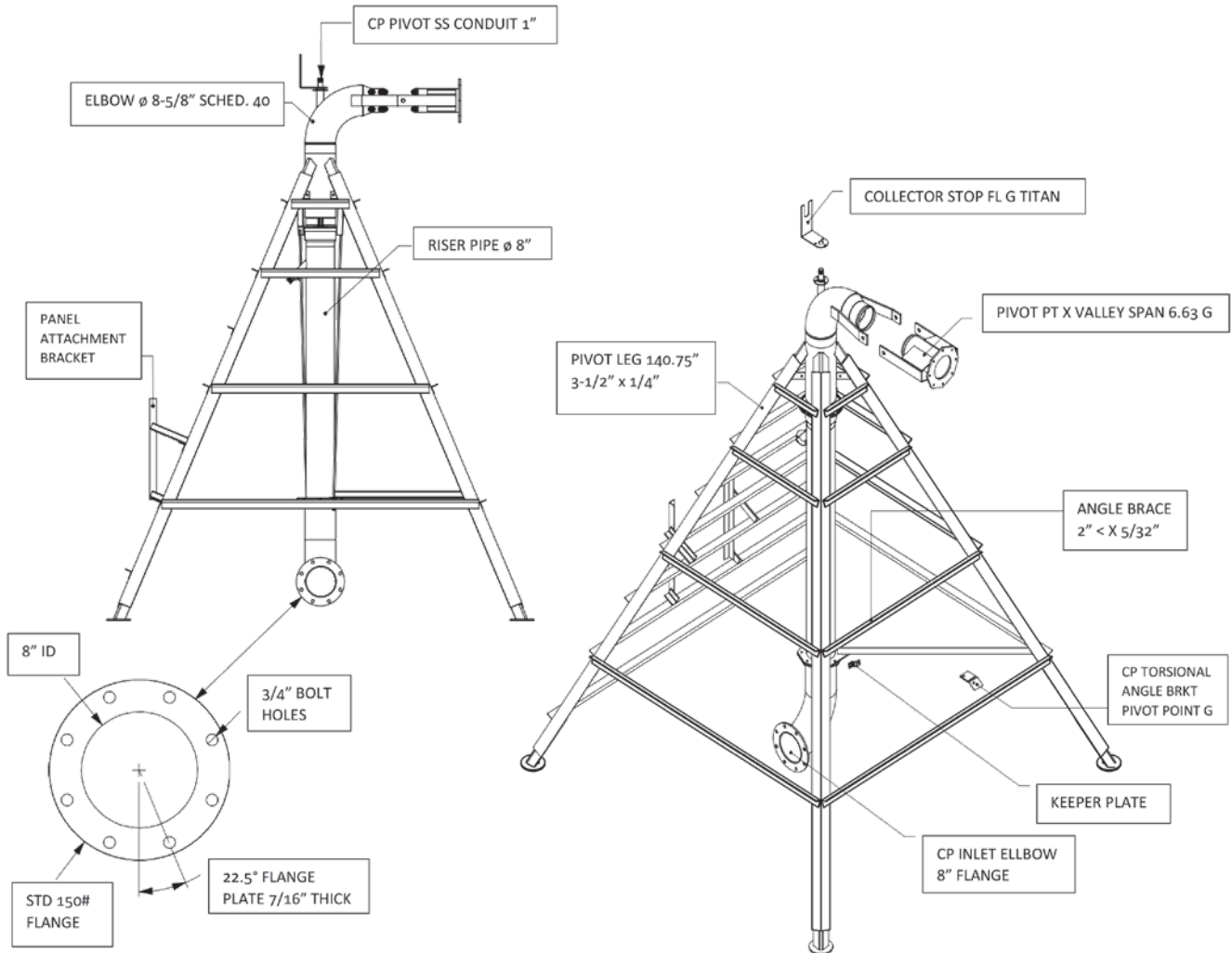
Transformers

PART #	DESCRIPTION
2044230001	Transformer, GE, 0.5 KVA, 480V Primary x 120V with 24V Tap Secondary, 60 Hz, 9T58K3314G34
2044270002	Transformer, Class 2, Door Bell Style, 20VA, 120V, Primary x 8V/16V/24V, Secondary, 50/60 Hz
2044727001	Transformer, Class 2, Door Bell Style, 12VA, 120V, Primary x 16V, Secondary, 50/60 Hz
2044697001	Transformer, 0.5 KVA, 380/400/415V, Primary x 115/230V Secondary, 50/60 Hz (International Only)
2044697002	Transformer, Control Power, 0.5 KVA, (International Only)

Electrical Accessories

PART #	DESCRIPTION
2024210001	Surge Suppressor, Universal
3052300614	Resistor/Capacitor/Diode Assembly
2045727001	Bridge Rectifier Semiconductor, MP352
2027270050	Ground Lug, Solderless Aluminum, 2-14 AWG
2027270051	Ground Lug Bar, 5-Point, 4-14, (726)
2040740001	Terminal Block, 12-Pole

Replacement Pivot Points



FEATURES AND BENEFITS

- Works with many styles of pivot models and is a direct replacement for most Valley models
- Economical replacement for storm damaged machines
- Ideal for used or rebuilt spans to irrigate corners or oddly-shaped fields
- Works with existing pivot pad and anchor bolts for Valley foundations
- Hot dipped galvanized steel
- Directly connects to 6-5/8" first span pipe
- Riser is 8"

PART #	DESCRIPTION
7072101120	Pivot Point Replacement, with Valley Adapter



End Tower Auto Reverse/Auto Stop



- Allows pivot to auto reverse or stop from any tower on the machine
- Unique four-piece control arm configuration for ease of shipping and assembly
- Adjustable for broader base beams

KIT INCLUDES:

- Arm assembly
- Tower box mounting bracket
- Tower box
- Springs
- Turnbuckles
- Seven-conductor cable
- Hardware and installation instructions

PART #	DESCRIPTION
3047300802	Auto Reverse/Auto Stop Complete Kit
3049300803	Auto Reverse/Auto Stop Tower Box only
3047300350	Auto Reverse/Auto Stop Control Arm Assembly, less Tower Box

End of Field Trigger



Not to be used as end-of-field barricade.

BENEFITS AND FEATURES:

- Economical replacement or addition to existing installation
- Adjustable height to fit any pivot brand
- Hot dipped galvanized steel to fight corrosion
- Two-piece uprights are easy to ship, assemble and install

PART #	DESCRIPTION
7071513004	End of Field Trigger Assembly with Mounting Hardware

Boot Hose

PART #	DESCRIPTION
LONG, 4-PLY RUBBER	
5062805015	5" ID x 16"
5062805023	6-5/8" ID x 16"
5062805029	7" ID x 16"
5062805035	8" ID x 16"
5062805040	8-5/8" ID x 16"
5062805044	9" ID x 16"

Clamps

PART #	DESCRIPTION
T-BOLT CLAMP	
5062051004	5"
5062051002	6"
5062051003	6-5/8"
5062051005	7"
5062051009	8"
5062051006	8-5/8"
5062051007	9"
OETIKER CLAMP	
6090074001	3/4"

Drains

PART #	DESCRIPTION
5065009001	Clear Flo Pivot Drain, 1" Threaded Plastic
5065060001	Wade Pivot Drain
5599500112	Crown Mushroom Drain (Reinke)
5065500002	Flat Mushroom Drain
5065008002	Giant Bridge Drain, Top Only, Rubber Threaded
5065008003	Giant Bridge Drain, Stem Only
5065008004	Giant Bridge Drain, Nut Only
5065430001	Star Only (Valley)
5065500011	Mushroom Drain Valve (D2) High Pressure
5065500012	Mushroom Drain Valve (D6) High Pressure
5065430002	1" Star Drain Valve, Plastic
5065430003	1" Star Drain Valve, Metal
5065430004	Z-Drain, Lindsay Style, Metal Cap with Plastic & Rubber Base

BlueWater

MODEL 676 ELECTROMAGNETIC FLOWMETER



FEATURES

- Three-year factory warranty
- Accuracy +/- 1% of flow rate, 1-33 fps
- National Institute of Standards and Technology (NIST) certified
- Five-year battery life (no tools to replace)
- Rugged design, SS body with cast aluminum enclosure
- Single-piece polyurethane liner (no seams or separation)
- Sizes 3" to 14" (other sizes available upon request)
- Pulse output standard (telemetry ready)
- Internal datalogger option available
- Rotatable internal display (90°)
- Non-volatile flash memory
- Field serviceable (no need to pull meter and send back to factory)



PART #	DESCRIPTION
INTEGRAL MOUNT, BATTERY OPERATED, PULSE OUTPUT, FLANGED MAGMETER	
FM676-030-100	3"
FM676-040-100	4"
FM676-060-100	6"
FM676-080-100	8"
FM676-100-100	10"
FM676-120-100	12"
FM676-140-100	14"

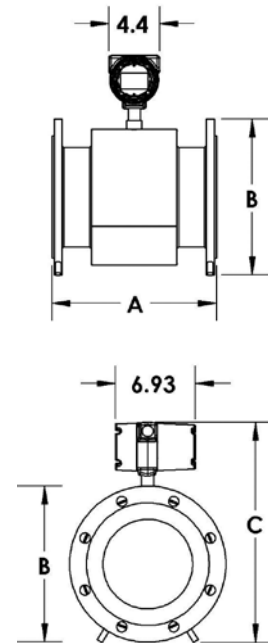
Additional sizes and configurations available upon request.

BlueWater Magmeter

The Model 676 BlueWater electromagnetic flowmeter is designed to measure the flow of water in full pipe conditions. This BlueWater flow meter is ideally suited for agricultural irrigation as it is battery operated, rugged and easy to install and configure. The BlueWater stores all calibration and flow information in a flash memory eliminating the need to reprogram the meter if the module is replaced or exchanged.

BLUEWATER DIMENSIONS, WEIGHT AND FLOW RATE

SIZE (inches)	DIMENSIONS (inches)			WEIGHT (lbs)	FLOW RANGE (GPM)		
	LENGTH (A)	FLANGE (B)	HEIGHT (C)		1 fps	3 fps	33 fps
3	6.00	7.50	13.00	48	20	60	664
4	10.24	9.00	14.38	55	35	107	1,182
6	12.27	11.00	17.00	75	85	254	2,800
8	14.24	13.50	19.40	105	145	436	4,800
10	18.18	16.00	22.56	155	236	709	7,800
12	19.68	19.00	25.00	235	333	1,000	11,000
14	21.38	21.00	26.67	365	409	1,227	13,500



Tigermag^{EP}TM

ELECTROMAGNETIC FLOWMETER



FEATURES

- Two-year factory warranty
- Accuracy +/- 0.5% flow rate, 1-33fps
- ISO9001 certified
- National Institute of Standards and Technology (NIST) certified
- Sizes as small as 1/10" and as large as 72" available
- Rugged design, SS body with cast aluminum enclosure (NEMA 4X)
- Pulse, frequency, 4-20mA and RS232 outputs standard
- HART and modbus options available
- Integral mount display standard, remote mount optional
- Submersible and buried flow tubes optional (only with remote display)
- Rotatable internal display (90°)
- Non-volatile EEPROM memory
- Field serviceable (no need to pull meter to send back to factory)



PART #	DESCRIPTION
	PULSE & 4-20MA OUTPUT, 120V POWER SUPPLY, SS ELECTRODES, INTEGRATED NEMA-4X DISPLAY ENCLOSURE, FLANGED MAGMETER
FM656-035-110-0	3"
FM656-045-110-0	4"
FM656-065-110-0	6"
FM656-085-110-0	8"
FM656-105-110-0	10"
FM656-125-110-0	12"
FM656-145-110-0	14"

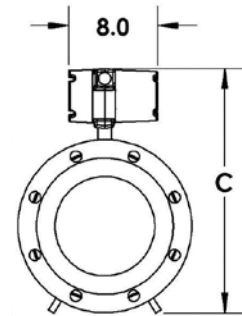
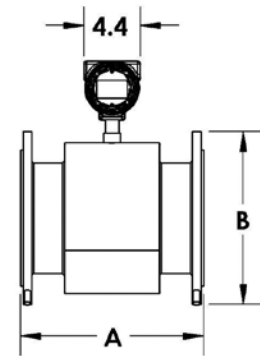
Additional sizes and configurations available upon request.

Tigermag^{EP}™ Mag Meter

The Model 656 is a microprocessor-based electromagnetic flowmeter designed to measure the flow of conductive liquids, both water and wastewater, in full pipes. Sparling's Tigermag^{EP}™ is an excellent choice for agricultural irrigation applications because of its robust design and repeatable accuracy, with the nonvolatile EEPROM memory which eliminates the need for a battery backup. The Model 656 is capable of being serviced and programmed in the field by a factory-certified service provider, thereby eliminating the need to remove the meter from operation.

TIGERMAGE^{EP}™ DIMENSIONS, WEIGHT AND FLOW RATE

SIZE (inches)	PRESSURE (PSI)	DIMENSIONS (inches)				FLOW RANGE (GPM)	
		A	B	C	D	MINIMUM	MAXIMUM
2	150	4.00	6.00	11.69	11.44	9	303
3	150	6.00	7.50	13.00	12.75	20	664
4	150	6.00	9.00	14.38	14.13	35	1,182
6	150	13.38	11.00	17.00	16.75	85	2,800
8	150	13.38	13.50	19.40	19.15	145	4,800
10	150	18.15	16.00	22.56	22.31	236	7,800
12	150	19.40	19.00	25.00	24.75	333	11,000
14	150	21.38	21.00	26.67	26.42	409	13,500
16	150	23.38	23.50	28.97	28.72	545	18,000
18	150	27.25	25.00	31.14	30.89	667	22,000
20	150	27.63	27.50	33.39	33.14	879	29,000
24	150	32.75	32.00	37.44	37.19	1,273	42,000
30	150	43.50	38.75	43.72	43.47	1,909	63,000
36	150	47.75	46.00	50.20	49.95	2,925	96,525
42	150	51.75	53.00	56.90	56.65	4,040	133,320
48	150	51.75	59.50	63.05	62.80	5,322	175,626



Irriprop

MODEL FM314 BOLT-ON SADDLE PROPELLER METER



FEATURES

- One-year factory warranty
- Accuracy +/- 2% of flow rate
- National Institute of Standards and Technology (NIST) certified
- Sizes available, 4" – 14"
(other sizes/models available upon request)
- Electronic display, rugged design
(no gears)
- Energy saving sleep mode
- Non-volatile memory
- Pulse output standard (telemetry ready)
- 4-20mA option available
- Three-year battery life
- 100 years of fluid flow experience

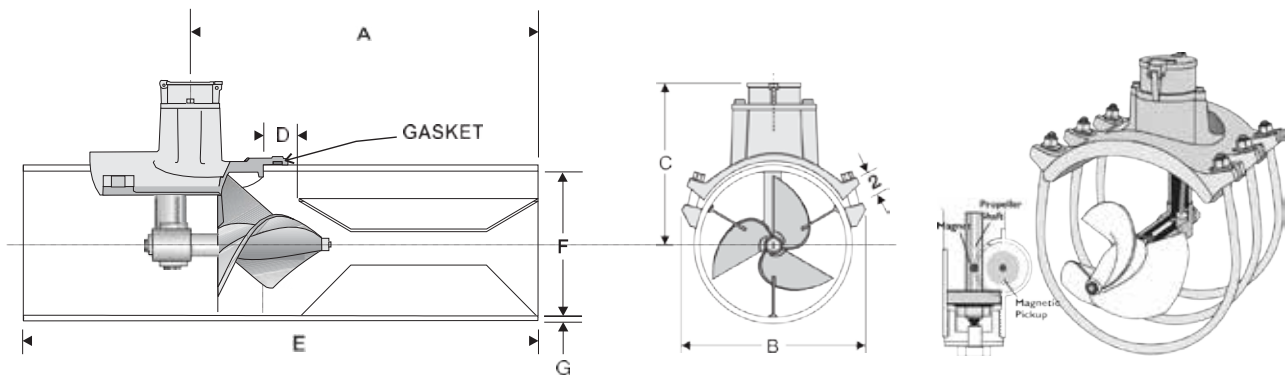
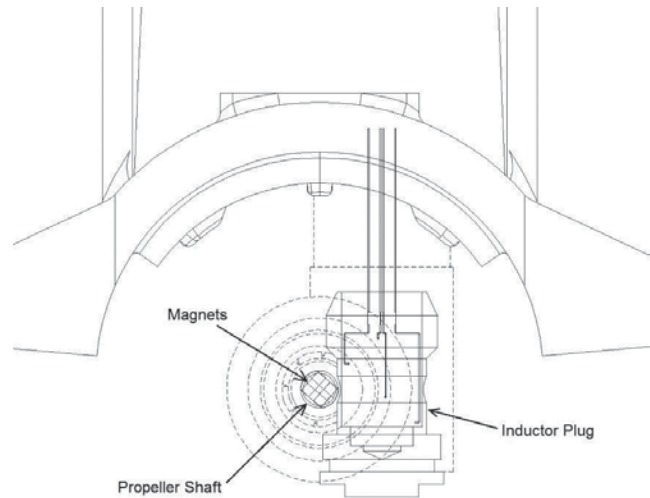


PART #	DESCRIPTION
ELECTRONIC RATE INDICATOR, STANDARD FLOW RANGE, NO OUTPUTS, INTEGRAL MOUNTED TRANSMITTER INCLUDES U-BOLTS & GASKET FOR STEEL PIPE	
FM314-04-042-00	4"
FM314-06-042-00	6"
FM314-08-042-00	8"
FM314-10-042-00	10"
FM314-12-042-00	12"
FM314-14-042-00	14"

Additional sizes and configurations available upon request.

Digital Propeller Meter

The Model FM314 Bolt-On Saddle flow-meter features the FT194 digital display which is powered by a 3.6V lithium battery. This propeller model is an ideal low-cost, easy to install, rugged solution when working with existing irrigation piping. The electronic rate/totalizer senses the rotation of the propeller by means of a magnetic pickup sensor located in the gearbox. The rate, totalizer and magnetic pickup are completely isolated from the flow stream.



IRRIPROP DIMENSIONS, WEIGHT AND FLOW RATE

SIZE (inches)	PRESSURE (PSI)	DIMENSIONS (inches)							FLOW RANGE (GPM)		WEIGHT (lbs) w/o tube
		A	B	C	D	E	F	G	MINIMUM	MAXIMUM	
4	100	9.2	8.0	7.6	N/A	16.0	4.03	0.24	50	600	20
6	100	14.4	9.0	7.9	2.8	22.0	6.36	0.13	90	1500	25
8	100	15.9	10.5	9.4	3.0	24.0	8.36	0.13	150	2300	30
10	100	19.9	11.5	9.6	3.3	30.0	10.38	0.19	250	3000	35
12	100	23.9	12.4	11.5	3.3	36.0	12.38	0.19	350	4000	40
14	100	28.9	17.6	11.1	4.9	42.0	13.63	0.19	450	5000	30

Tigermag^{EP}™ Model FM656 and BlueWater Model FM676 Accessories

GROUNDING RINGS (SET OF TWO)	
AC615031	3" – Grounding Rings with Grounding Wires and Gasket
AC615041	4" – Grounding Rings with Grounding Wires and Gasket
AC615061	6" – Grounding Rings with Grounding Wires and Gasket
AC615081	8" – Grounding Rings with Grounding Wires and Gasket
AC615101	10" – Grounding Rings with Grounding Wires and Gasket
AC615121	12" – Grounding Rings with Grounding Wires and Gasket
AC615141	14" – Grounding Rings with Grounding Wires and Gasket
BATTERIES	
FM676-156129	BlueWater Meter Replacement Battery Pack

Irriprop Model FM314 Meter Accessories

GASKETS – OD/PIP	
FM314-04-567492	4" – Gasket, OD/PIP, for Sparling Irriprop Meter
FM314-06-567168	6" – Gasket, OD/PIP, for Sparling Irriprop Meter
FM314-08-567169	8" – Gasket, OD/PIP, for Sparling Irriprop Meter
FM314-10-567170	10" – Gasket, OD/PIP, for Sparling Irriprop Meter
FM314-12-567171	12" – Gasket, OD/PIP, for Sparling Irriprop Meter
GASKETS – IPS	
FM314-04-519142	4" – Gasket, IPS (4.5 IN), for Sparling Irriprop Meter
FM314-06-519275	6" – Gasket, IPS (6.625 IN), for Sparling Irriprop Meter
FM314-08-519449	8" – Gasket, IPS (8.625 IN), for Sparling Irriprop Meter
FM314-10-517419	10" – Gasket, IPS (10.75 IN), for Sparling Irriprop Meter
FM314-12-519621	12" – Gasket, IPS (12.75 IN), for Sparling Irriprop Meter
CABLES & ASSEMBLY KIT	
FM314-563904	Irriprop Meter, Cable Assembly, 194V2 with output, 5 feet
FM314-CS194010	Irriprop Meter, Cable Assembly, 194V2 with output, 10 feet
FM314-CS194025	Irriprop Meter, Cable Assembly, 194V2 with output, 25 feet
FM314-CS194050	Irriprop Meter, Cable Assembly, 194V2 with output, 50 feet
BATTERIES	
FM314-564038	Irriprop Meter Battery 194 – version 2
STRAIGHTENING VEINS	
Irriprop Straightening Vanes, Bolt-In, Set of 3, Available in Sizes 4" – 14"	



Span Cable

CONFIGURATION
10 Conductor – 4#10 + 6#14
11 Conductor – 4#10 + 7#14

Motor Drop

CONFIGURATION
Shielded Motor Drop – 4#14

All Wire Configurations are listed based on the following formula:

SIZE OF WIRE	# OF CONDUCTORS	+	SIZE OF WIRE	# OF CONDUCTORS	+	# OF CONTROL WIRES
#2-3C			#4-1C			2#12
2	3C		4	1C		2 of Size 12

Self-Healing, Direct Burial Wire

- Installs exactly the same way as conventional direct-burial cables
- Self-seals against pin holes and cuts with confirmed sealant to block moisture ingress
- Self-sealing insulation reduces callbacks from punctures or handling damage
- Saves time and money previously spent locating faults, digging up failed cable, ordering and installing replacement cable
- Protects against rodents, shovels, rocks, lightning and installation damage
- Increased reliability improves ROI on underground services, prevents corrosion & maintains electrical reliability
- Field-tested and proven, self-sealing design delivers long-term reliability
- Direct replacement for conventional cables & compatible with conventional connectors and tools



CONFIGURATION

#6-4C – Self-Healing, Direct Burial

#4-4C – Self-Healing, Direct Burial

#2-3C + #4-1C – Self-Healing, Direct Burial

#1/0-3C + #2-1C – Self-Healing, Direct Burial

#2/0-3C + #1-1C – Self-Healing, Direct Burial

#4/0-3C + #2/0-1C – Self-Healing, Direct Burial

#250MCM-3C + #3/0-1C – Self-Healing, Direct Burial

#350MCM-3C + #4/0-1C – Self-Healing, Direct Burial

#500MCM-3C + #350MCM-1C – Self-Healing, Direct Burial

STANDARD QUAD ALUMINUM

CONFIGURATION

#4-4C Quad Aluminum

#2-3C + #4-1C Quad Aluminum

#1/0-3C + #2-1C Quad Aluminum

#2/0-3C + #1-1C Quad Aluminum

#4/0-3C + #2/0-1C Quad Aluminum

#250MCM-3C + #3/0-1C Quad Aluminum

#350MCM-3C + #4/0-1C Quad Aluminum

#500MCM-3C + #350 MCM-1C Quad Aluminum

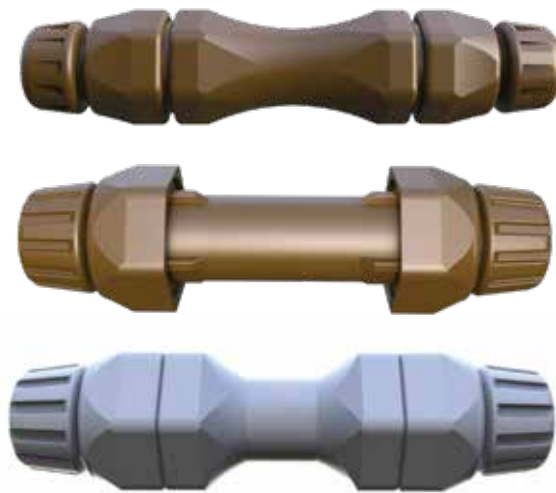
CABLE IN CONDUIT

Available in Standard Duct and Schedule 40 Conduit
 All Cable in Conduit is UL Listed and 600V

CONFIGURATION
#12-2C
#12-7C
#6-4C
#6-4C + 2#12
#4-4C
#4-4C + 2#12
#4-4C + 7#12
#2-3C + #4-1C
#2-3C + #4-1C + 2#12
#2-4C
#2-4C + 2#12
#1/0-3C + #4-1C
#1/0-3C + #4-1C + 2#12
#2/0-3C + #2-1C
#2/0-3C + #2-1C + 2#12
#4/0-3C + #2-1C
#4/0-3C + #2-1C + 2#12
#250MCM-3C + #1/0-1C
#250MCM-3C + #1/0-1C + 2#12
#350MCM-3C + #2/0-1C
#350MCM-3C + #2/0-1C + 2#12
#500MCM-3C + #2/0-1C
#500MCM-3C + #2/0-1C + 2#12



“Our patented devices are revolutionizing the electrical industry by offering a faster, safer and cost-effective way to transfer power. These innovative alternatives were designed to allow for quick and reliable connectivity without the need for specialized tools or timely processes.”



The Melni Connector can be installed in less than one minute! Just insert the stripped cable, twist the end caps to tighten the patented spiral insert and then tighten the waterproof caps. That’s it!

PART #	DESCRIPTION
9067450002	#2 –#4 Melni Splice Connector
9067450001	#1/0 – #2/0 Melni Splice Connector
9067450003	#3/0 – #4/0 Melni Splice Connector

Air Vent-Vacuum Relief Valves

Air vents are used on gravity or high-pressure systems and are designed for evacuation of air when filling a pipeline. The air vents also provide positive vacuum relief when draining the system.

PART #	DESCRIPTION
4057430012	2", X-Series
4057430014	3", X-Series
4057430015	4", X-Series
4080002108	1-1/2", AV Series
4057002001	2", AV Series
4057002002	3", AV Series



Continuous Acting Air Vents

AIR-O-MAX™ FEATURES

- Built entirely with corrosion resistant materials
- Glass-filled nylon body and base
- Polypropylene float
- Aerodynamic design resists blowing closed
- Working pressure up to 125 PSI

PART #	DESCRIPTION
4057430101	1"
4057430102	1-1/4"
4057430103	2"



STANDARD MODEL FEATURES

- Cast iron base
- Aluminum body with plastic float
- Exhausts large volumes of trapped air from pipelines
- 120 PSI max

PART #	DESCRIPTION
4057430001	2"
4057430002	3"
4057430003	4"



Pressure Relief Valves

Pressure Guard™ Pressure Relief Valves are designed to provide maximum pressure surge protection for irrigation systems. These high quality, spring-loaded valves ensure accurate and dependable operation.

PRESSURE GUARD™ FEATURES

- Pressure Lock® tamper resistant locking cap
- Brass linear bearing to ensure smooth function
- Laminated Teflon™ seat gasket prevents seat sticking
- Cast iron base, stainless steel stem, painted spring

PART #	DESCRIPTION	PSI
4054430004	2.5"	45 – 85
4057430004	2"	0 – 25
4054430001	2"	45 – 85
4057430013	3"	0 – 25
4054430007	3"	45 – 85
4054430011	4"	0 – 25
4057430016	4"	30 – 40
4054430009	4"	45 – 85

Field-set only



PRV Series Pressure Relief Valves are suitable for most aluminum sprinklers and high-pressure plastic pipe.

PRV SERIES FEATURES

- Constructed from high strength aluminum castings with stainless steel shaft, tempered steel spring and non-sticking Teflon™ seal and bushings
- Dependable, top spring design (out of flow) assures longer and more accurate operation

PART #	DESCRIPTION	PSI
4054002001	2"	0 – 120
4054002002	3"	0 – 120

Field-set only



Electric On/Off Valve with Solenoid and 3-Way Selector

PART #	DESCRIPTION
ELECTRIC ON/OFF VALVE	
4093430003	4"
4093430010	6"
4093430009	8"
4093430008	6" High Flow
VALVE REPLACEMENT DIAPHRAGM	
4092430017	2" XCON
4092514001	6" XCON
4092514002	8" XCON



3-Way Solenoids

PART #	DESCRIPTION
2093430005	120 V AC Solenoid, Unpotted
2093430004	120 V AC Solenoid, Potted
2093430006	24 V DC Solenoid



Coils

PART #	DESCRIPTION
2093430003	Coil Housing (Pot)
4092430001	120 V AC Potted Coil
2093430002	24 V DC Coil Only
2093430001	24 V AC Coil Only



VALVES & FILTERS

Seal Matic™ Basic Valves

PART #	DESCRIPTION
4092430009	3/4" NPT Threaded
4092430003	1" NPT Threaded
4092430004	2" NPT Threaded
4092430012	2" 90° NPT Threaded
4092430007	4" Flanged



Pivot End Gun Valves

PART #	DESCRIPTION
4092430005	2", NPT
4092430011	3/4", NPT
4092430013	2" 90° NPT



Seal Matic™ Electric On/Off

PART #	DESCRIPTION
4092528002	1" NPT Threaded
4092430006	2" NPT Threaded
4092430018	3" Flanged
4092430019	4" Flanged
4092430008	6" Flanged
4092430029	8" Flanged



XCAD Stainless Steel Butterfly Valve

FEATURES

- Double seal seat design eliminates need for flange gaskets
- Two-piece stainless steel stem design with floating disc
- Drive stem flattened for easy fit actuation
- Streamlined disc for maximum flow
- Locating lugs for easy installation



PART #	DESCRIPTION
LEVER OPERATED	
4050430002	2"
4050430004	2-1/2"
4050430001	3"
4050430008	4"
4050430014	5"
4050430003	6"
4050430010	8"
4050430005	10"
4050430006	12"
4050430015	14"
4050430016	16"

PART #	DESCRIPTION
GEAR OPERATED	
4050430017	2"
4050430018	2-1/2"
4050430007	3"
4050430013	4"
4050430019	5"
4050430009	6"
4050430020	8"
4050430011	10"
4050430012	12"
4050430021	14"
4050430022	16"

XCAD Ductile Iron Butterfly Valve



PART #	DESCRIPTION
LEVER OPERATED	
4050420011	2"
4050420012	2-1/2"
4050420013	3"
4050420005	4"
4050420014	5"
4050420007	6"
4050420009	8"
4050420002	10"
4050420015	12"
4050420016	14"
4050420017	16"

PART #	DESCRIPTION
GEAR OPERATED	
4050420018	2"
4050420019	2-1/2"
4050420003	3"
4050420004	4"
4050420010	5"
4050420006	6"
4050420008	8"
4050420001	10"
4050420020	12"
4050420021	14"
4050420022	16"

XCAD Butterfly Stem Extensions

VALVE SIZE	24"	36"	48"	60"	72"
2" – 6"	4050440000	4050440003	4050440006	4050440009	4050440012
8" – 12"	4050440001	4050440004	4050440007	4050440010	4050440013
14" – 16"	4050440002	4050440005	4050440008	4050440011	4050440014

Series 8500 Grayline Butterfly Valves

The Series 8500 Butterfly Valves are general purpose, in-line water control valves. Series 8500 Valves are effective for agricultural, industrial and specialty applications. Stainless Steel Disc and Buna N liner, standard.

PART #	DESCRIPTION
LEVER OPERATED	
4050050001	2"
4050050002	2-1/2"
4050050003	3"
4050050004	4"
4050050005	5"
4050050006	6"
4050050007	8"
4050050008	10"
4050050009	12"

PART #	DESCRIPTION
GEAR OPERATED WITH HANDWHEEL OR 2" SQ. NUT	
4050050010	2"
4050050011	2-1/2"
4050050012	3"
4050050013	4"
4050050014	5"
4050050015	6"
4050050016	8"
4050050017	10"
4050050018	12"
4050050019	14"
4050050020	16"

Series 8500 Grayline Butterfly Stem Extensions

VALVE SIZE	24"	36"	48"	60"	72"
2" – 6"	4050050021	4050050024	4050050027	4050050030	4050050033
8" – 12"	4050050022	4050050025	4050050028	4050050031	4050050034
14" – 16"	4050050023	4050050026	4050050029	4050050032	4050050035

API Blue Butterfly Valve

FEATURES

- Operator flange conforms to ISO 5211 and is designed to work with manual, pneumatic or electric actuators
- The rubber seat is non-collapsible, stretch resistant and blowout proof
- The precision-machined disc ensures low operating torque and effective sealing up to 200 PSI; the hydro-dynamically designed disc allows for high capacity flow
- One-piece shaft design ensures dependability and positive disc positioning
- Valves are epoxy coated and incorporate “zerk” style grease fittings for easy lubrication on neck & gearbox (if applicable)

PART #	DESCRIPTION
LEVER OPERATED	
4050002001	3"
4050002002	4"
4050002030	5"
4050002003	6"
4050002004	8"
4050002005	10"
4050002006	12"
4050002031	14"
GEAR OPERATED	
4050002007	3"
4050002008	4"
4050002032	5"
4050002009	6"
4050002010	8"
4050002011	10"
4050002012	12"
4050002013	14"



Wafer Check Valve Double Door

FEATURES

- Small, lightweight and easy to maintain
- Two torsion springs close valve plates quickly and automatically
- Quick spring action prevents backflow, eliminates water hammering and provides minimal head loss
- Valve can be installed vertically or horizontally
- Applications include HVAC, compressed air; water supply and discharge; irrigation and reclaim water; process water



PART #	DESCRIPTION
WAFER CHECK • DOUBLE DOOR • SERIES CV-H	
4051002102	3"
4051002103	4"
4051002104	6"
4051002101	8"
4051002105	10"
4051002106	12"
4051002107	14"

Butterfly Line Valves

PLAIN END

PART #	DESCRIPTION
4616711-0004	4" Gheen
4616711-0006	6" Gheen
4616711-0008	8" Gheen
4616711-0010	10" Gheen
4616711-0012	12" Gheen



FLANGED

PART #	DESCRIPTION
4016711-0004	4" Gheen
4016711-0006	6" Gheen
4016711-0008	8" Gheen
4016711-0010	10" Gheen
4016711-0012	12" Gheen



PLAIN END

PART #	DESCRIPTION
4050008007	4" Pierce
4050008009	6" Pierce
4050008010	8" Pierce
4050008011	10" Pierce



RING-LOCK

Includes Roundback Gasket

PART #	DESCRIPTION
4050008001	4" Pierce
4050008003	6" Pierce
4050008004	8" Pierce
4050008005	10" Pierce



Chemigation Valves



FLANGED WITH INSPECTION PORT & AIR VENT

PART #	DESCRIPTION
4051008001	4" Pierce
4051008002	6" Pierce
4051008003	8" Pierce
4051008004	10" Pierce
4051008006	12" Pierce
5213711-3004	4" Gheen
5213711-3006	6" Gheen
5213711-3008	8" Gheen
5213711-3010	10" Gheen
5213711-3012	12" Gheen

Check Valves



FLANGED WITH INSPECTION PORT & AIR VENT

PART #	DESCRIPTION
5213611-3004	4" Gheen
5213611-3006	6" Gheen
5213611-3008	8" Gheen
5213611-3010	10" Gheen

PLAIN END

PART #	DESCRIPTION
5213611-1004	4" Gheen
5213611-1006	6" Gheen
5213611-1008	8" Gheen
5213611-1010	10" Gheen
5213611-1012	12" Gheen

Drain Assembly

PART #	DESCRIPTION
5065009002	1" x 3/4" Chem Drain

Mister Mist'r®

PART #	DESCRIPTION
4080012001	Poly with Spring
4080012002	High Gallonage with Spring

Galvanized Screen Filters

These versatile, galvanized screen filters can be used as pre-filters or primary filters, depending on application and water quality. Also used with center pivot systems.



PART #	DESCRIPTION
6"/800 GPM WITH 1/16 SCREEN	
4060008001	Inlet-Flange, Outlet-Flange
6"/800 GPM WITH 3/32 SCREEN	
4060008002	Inlet-Flange, Outlet-Flange
8"/1200 GPM WITH 1/16 SCREEN	
4060008003	Inlet-Flange, Outlet-Flange
4060008004	Inlet-Plain End, Outlet-Plain End
4060008005	Inlet-Ring-Lock Male, Outlet-Ring-Lock Bell
8"/1200 GPM WITH 3/32 SCREEN	
4060008006	Inlet-Flange, Outlet-Flange
4060008007	Inlet-Plain End, Outlet-Plain End
4060008008	Inlet-Ring-Lock Male, Outlet-Ring-Lock Bell
8"/1750 GPM WITH 1/16 SCREEN	
4060008009	Inlet-Flange, Outlet-Flange
4060008010	Inlet-Plain End, Outlet-Plain End
4060008011	Inlet-Ring-Lock Male, Outlet-Ring-Lock Male
8"/1750 GPM WITH 3/32 SCREEN	
4060008012	Inlet-Flange, Outlet-Flange
4060008013	Inlet-Plain End, Outlet-Plain End
4060008014	Inlet-Ring-Lock Male, Outlet-Ring-Lock Male

Replacement Screens

PART #	DESCRIPTION
4060008015	1200 GPM-1/16" Screen
4060008016	1200 GPM-3/32" Screen
4060008017	1750 GPM-1/16" Screen
4060008018	750 GPM-3/32" Screen

Banjo Valves

PART #	DESCRIPTION
4080006001	2" Banjo Ball Valve
4080006002	3" Banjo Ball Valve
4080006003	4" Banjo Ball Valve

Aluminum Couplers

PART #	DESCRIPTION
KROY	
6588040001	6"
6588040002	8"
6588040003	10"
HASTINGS, CIRCLE-LOCK	
6588024005	6"
6588024006	8"
6588024007	10"
6588024008	12"

Aluminum Valves



PART #	DESCRIPTION
LINE VALVE	
7589425055	6" x 8"
7589425041	6"
7589425044	8"
7589425050	10"
WYE END TEE WITH TWO VALVES	
7589425003	6"
7589425006	8"
7589425010	10"

Aluminum Tee



PART #	DESCRIPTION
LINE TEE, STRAIGHT	
7587425017	6"
7587425019	8"
7587425021	10"
7587425023	12"
END TEE, STRAIGHT	
7587425122	6"
7587425012	8"
7587425014	10"
7587425016	12"

Aluminum Elbow



PART #	DESCRIPTION
ELBOW, 45°	
7587425069	6"
7587425071	8"
7587425073	10"
7587425075	12"
ELBOW, 90°	
7587425078	6"
7587425082	8"
7587425087	10"
7587425090	12"

FITTINGS & ACCESSORIES

Aluminum Reducer

PART #	DESCRIPTION
7588425036	6" x 4"
7588425039	8" x 4"
7588425041	8" x 6"
7588425043	10" x 6"
7588425045	10" x 8"
7588425047	10" x 9"
7588425049	12" x 8"
7588425050	12" x 10"



Aluminum Increaser

PART #	DESCRIPTION
7588425023	4" x 6"
7588425026	6" x 8"
7588425030	8" x 9"
7588425031	8" x 10"
7588425033	9" x 10"
7588425034	10" x 12"



Aluminum End Plug

PART #	DESCRIPTION
7588425010	6"
7588425012	8"
7588425015	9"
7588425016	10"
7588425018	12"



Aluminum End Cap

PART #	DESCRIPTION
7588425003	6"
7588425004	8"
7588425005	9"
7588425006	10"
7588425007	12"



FITTINGS & ACCESSORIES

Black Steel Female Starter

Includes gasket



PART #	DESCRIPTION
RING-LOCK FEMALE x WELD-ON	
3210730-0124	4", 12-Gauge
3210730-0126	6", 12-Gauge
3210730-0128	8", 12-Gauge
3210730-1210	10", 12-Gauge
3210730-1212	12", 12-Gauge
3210730-0106	6", 10-Gauge
3210730-0108	8", 10-Gauge
3210730-1010	10", 10-Gauge

Black Steel Male End



PART #	DESCRIPTION
RING-LOCK x WELD-ON	
3610900-0144	4", 14-Gauge
3610900-0126	6", 12-Gauge
3610900-0128	8", 12-Gauge
3610900-1210	10", 12-Gauge
3610900-1212	12", 12-Gauge
3610900-0106	6", 10-Gauge
3610900-0108	8", 10-Gauge
3610900-1010	10", 10-Gauge

Black Steel Female Starter, Long

Includes gasket



PART #	DESCRIPTION
RING-LOCK FEMALE DEEP PUNCH x WELD-ON	
3210730-2124	4", 12-Gauge
3210730-2126	6", 12-Gauge
3210730-2128	8", 12-Gauge
3210730-2200	10", 12-Gauge
3210730-2202	12", 12-Gauge
3210730-2106	6", 10-Gauge
3210730-2108	8", 10-Gauge
3210730-2201	10", 10-Gauge

Black Steel Hose Male End



PART #	DESCRIPTION
HOSE x WELD-ON	
5252000-0004	4", 14-Gauge
5252000-0006	6", 12-Gauge
5252000-0008	8", 12-Gauge
5252000-0010	10", 12-Gauge

FITTINGS & ACCESSORIES

Black Steel Cones

PART #	DESCRIPTION
WELD-ON • 12 GAUGE, CONCENTRIC	
1552200-2065	6" x 4"
1552200-2075	8" x 6"
1552200-2085	10" x 8"
1552200-2090	12" x 10"
WELD-ON • 10 GAUGE, CONCENTRIC	
1552200-4065	6" x 4"
1552200-4075	8" x 6"
1552200-4085	10" x 8"
WELD-ON • ECCENTRIC	
1552300-2065	6" x 4", 14-Gauge
1552300-2073	8" x 4", 12-Gauge
1552300-2075	8" x 6", 12-Gauge
1552300-2085	10" x 8", 12-Gauge



Black Steel Elbows

PART #	DESCRIPTION
WELD-ON • PLAIN END, 45°	
4614800-0066	6"
4614800-0088	8"
4614800-1010	10"
WELD-ON • PLAIN END, 90°	
4614700-0066	6"
4614700-0088	8"
4614700-1010	10"



Black Steel Tee

PART #	DESCRIPTION
WELD-ON • PLAIN END	
4614400-0666	6"
4614400-0888	8"
4614400-0900	10"

Black Steel Cross

PART #	DESCRIPTION
WELD-ON • PLAIN END	
4616200-9001	6"
4616200-9000	8"
4616200-9002	10"



Gheen Short Body Repair Couplers

Approximately 6" OAL complete, includes flange packs



PART #	DESCRIPTION
PIP/OD	
7011592-1803	4"
7011592-1805	6"
7011592-1806	8"
7011592-1807	10"
IPS	
7011542-1005	6-5/8"
7011542-1006	8-5/8"
7011542-1007	10-3/4"

Gheen Medium Body Repair Couplers

Approximately 10" OAL complete, includes flange packs



PART #	DESCRIPTION
PIP/OD	
7011692-1505	6"
7011692-1506	8"
7011692-1507	10"
7011692-1508	12"
IPS	
7011642-1505	6"
7011642-1506	8"
7011642-1507	10"
7011642-1508	12"

Gheen Long Body Repair Couplers

Approximately 18" OAL complete, includes flange packs



PART #	DESCRIPTION
PIP/OD	
7011792-1503	6"
7011792-1504	8"
7011792-1505	10"
7011792-1506	12"
IPS	
7011742-1503	6"
7011742-1504	8"
7011742-1505	10"
7011742-1506	12"

FITTINGS & ACCESSORIES

Epoxy Female Starter Coupler

PART #	DESCRIPTION
PIP WITH WELD-STRIP	
7210752-5000	6"
7210752-5001	8"
7210752-5002	10"
7210752-5003	12"
7210752-5004	15"
IPS WITH WELD-STRIP	
7210752-2003	6-5/8"
7210752-2004	8-5/8"
7210752-2005	10-3/4"



Epoxy Repair Coupler

PART #	DESCRIPTION
PIP WITH PRY EARS	
7217252-5006	6"
7217252-5008	8"
7217252-5010	10"
IPS WITH PRY EARS	
7217252-1006	6-5/8"
7217252-1008	8-5/8"
7217252-1010	10-3/4"



Galvanized Female Hose Barb

Includes gasket



PART #	DESCRIPTION
RING-LOCK FEMALE x HOSE	
3212331-0044	4" x 4"
3212331-0066	6" x 6"
3212331-0088	8" x 8"
3212331-1010	10" x 10"

Galvanized Male End



PART #	DESCRIPTION
RING-LOCK MALE x PRESS ON	
3610801-0144	4"
3610801-0126	6"
3610801-0128	8"
3610801-1210	10"
3610801-1212	12"

Galvanized Male Hose Barb

Includes gasket



PART #	DESCRIPTION
RING-LOCK MALE x HOSE	
3612401-0044	4" x 4"
3612401-0066	6" x 6"
3612401-0088	8" x 8"
3612401-1010	10" x 10"

Galvanized End Plug



PART #	DESCRIPTION
RING-LOCK MALE	
3615701-0004	4"
3615701-0006	6"
3615701-0008	8"
3615701-0010	10"
3615701-0012	12"

Galvanized Mainline Coupler

Includes gasket



PART #	DESCRIPTION
RING-LOCK FEMALE x PRESS ON	
3210531-0124	4"
3210531-0126	6"
3210531-0128	8"
3210531-1210	10"
3210531-1212	12"

Galvanized Reducer

Includes gasket



PART #	DESCRIPTION
RING-LOCK MALE x RING-LOCK FEMALE	
3215431-0064	6" x 4"
3215431-0086	8" x 6"
3215431-0108	10" x 8"
3215431-1210	12" x 10"

FITTINGS & ACCESSORIES

Galvanized 90 Degree Elbows



PART #	DESCRIPTION
RING-LOCK MALE x RING-LOCK FEMALE	
3214731-0066	6"
3214731-0088	8"
3214731-1010	10"
FLANGE x FLANGE	
7584425103	6"
7584425107	8"
7584425110	10"
FLANGE x RING-LOCK FEMALE	
7584425436	6"
7584425055	8"
7584425442	10"

Galvanized Flange Tee



PART #	DESCRIPTION
FLANGE x FLANGE x FLANGE	
4014401-0666	6"
4014401-0888	8"
4014401-0900	10"

Galvanized Flange Cross

PART #	DESCRIPTION
FLANGE x FLANGE x FLANGE x FLANGE	
4016201-6666	6"
4016201-8888	8"
4016201-9000	10"

Galvanized Flange Adapters

Includes gasket



PART #	DESCRIPTION
FLANGE x RING-LOCK FEMALE	
7583425131	6"
7583425132	8"
7583425133	10"

Galvanized J-Pipes

Includes gasket

PART #	DESCRIPTION
PIP BELL x RING-LOCK FEMALE	
7582425029	8" x 48"
7582425035	8" x 60"
7582425036	10" x 60"

Galvanized Z-Pipes

With 2" nipple, includes gasket

PART #	DESCRIPTION
PIP BELL x RING-LOCK FEMALE	
7582425142	6" x 48"
7582425143	8" x 48"
7582425146	8" x 60"

Band & Latch

Galvanized
(latch ordered separately)



PART #	DESCRIPTION
BAND ONLY	
4055045016	4"
4055045018	6"
4055045019	8"
4055045020	10"
4055045021	12"
4080008010	Latch/Hook Only

Male Rings



PART #	DESCRIPTION
BOLT-ON	
4055045001	4"
4055045002	6"
4055045003	8"
4055045004	10"
4055045005	12"
WELD-ON	
6555045002	6"
6555045003	8"
6555045004	10"

Ring-Lock Clamps



PART #	DESCRIPTION
PIERCE STYLE	
4055080003	4"
4055080005	6"
4055008009	8"
4055008100	10"
4055008008	12"
OVERSIZED, TRAVIS STYLE	
4055040001	4"
4055040002	6"
4055040003	8"
4055040004	10"

Draw Bands

Regular Size 15/Bundle, 0-50# pipe
Oversized 10/Bundle, 80-100# pipe



PART #	DESCRIPTION
REGULAR SIZE	
4055050001	4"
4055050002	6"
4055050003	8"
4055050004	10"
4055050005	12"
4055050006	15"
OVERSIZED	
4080050111	4"
4080050110	6"
4080505112	8"
4055050008	10"
4055050009	12"

Steel Flanges

PART #	DESCRIPTION
1/2" THICK • OD	
4053002001	3"
4053002002	4"
4053002003	5"
4053002004	6"
4053002005	8"
4053002006	10"
4053002007	12"
1/2" THICK • IPS	
4053002008	4-1/2"
4053002009	6-5/8"
4053002010	8-5/8"
4053002011	10-3/4"



Aluminum Flanges

PART #	DESCRIPTION
6553024001	4"
6553024002	6"
6553024003	8"
6553024004	10"



PVC Vanstone Flanges

PART #	DESCRIPTION
FD2116	6"
FD2122	8"
FD2125	10"

PIP, Solvent Weld, 100 PSI

PVC Tee

PART #	DESCRIPTION
501-060	6"
501-080	8"
501-100	10"
501-086	8" x 6"

PVC Reducers

PART #	DESCRIPTION
529-086	8" x 6"
529-108	10" x 8"
529-1210	12" x 10"

PVC Couplers

PART #	DESCRIPTION
529-060	6"
529-080	8"
529-100	10"

PVC Bolted Repair Couplers

PART #	DESCRIPTION
588-080	8" x 12"
588-100	10" x 12"

PVC Elbows

PART #	DESCRIPTION
90°	
506-060	6"
506-080	8"
506-100	10"
45°	
517-060	6"
517-080	8"
517-100	10"

PVC End Caps

PART #	DESCRIPTION
547-060	6"
547-080	8"
547-100	10"

Glue & Primer

PART #	DESCRIPTION
EZ21205	Purple Primer, Gallon
EZ21204	Purple Primer, Quart
EZ21605	Glue, Gallon
EZ21604	Glue, Quart



Dam Gates

200/box • Sold as box quantity only

PART #	DESCRIPTION
3578011001	6" Dam Gate, Complete
3578011002	8"-10" Dam Gate, Complete
3578011006	Dam Gate Clip



Keyhole Gates

200/box • Sold as box quantity only

PART #	DESCRIPTION
3578011007	6" Keyhole Gate, Complete
3578011008	8"-10" Keyhole Gate, Complete
3578011012	Keyhole Gate Clip

FEATURES

- Three simple components allow for fast and easy installation
- Specialty resin additives protect against harmful ultraviolet degradation
- Center-mounted high tension spring clip eliminates leaks while conserving water and pumping cost
- The highest quality product in the irrigation industry
- Designed for 6"-8" / 10" PVC or aluminum pipe

Gate Wrench

PART #	DESCRIPTION
3578011013	Dam & Keyhole Installation Tool

GATES & GASKETS

Hastings Universal Gate

200/box • Order top & bottom separately • Sold as box quantity only

PART #	DESCRIPTION
3578024001	Hastings Top
3578024002	Universal Bottom



Hastings New Style Round Front Gate

200/box • Order top & bottom separately • Sold as box quantity only

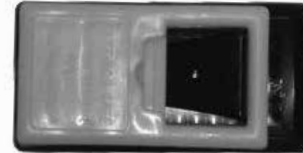
PART #	DESCRIPTION
3578024001	Hastings Top
3578024004	6" Hastings New Style Bottom
3578024005	8"-10" Hastings New Style Bottom



Hastings Conversion Gate

200/box • Order top & bottom separately • Sold as box quantity only

PART #	DESCRIPTION
3578024006	Conversion Gate Top
3578024007	Conversion Gate Bottom



Oval Gate

200/box • Order top & bottom separately • Sold as box quantity only

PART #	DESCRIPTION
3578024008	Rubber Frame Only
3578024009	Slide Only



Ames Gate

200/box • Order top & bottom separately • Sold as box quantity only

PART #	DESCRIPTION
3578007001	Rubber Frame Only
3578007002	Slide Only



A & M Gaskets



PART #	DESCRIPTION
5579500003	4" A & M
5579500005	6" A & M
5579500006	8" A & M
5579500007	10" A & M

Ames Lo Hi Gaskets



PART #	DESCRIPTION
5579500008	6" Lo Hi
5579500010	8" Lo Hi
5579500012	10" Lo Hi

Ben Gar Ring Gaskets



PART #	DESCRIPTION
5579500013	6" Ben Gar Ring
5579500014	8" Ben Gar Ring
5579500015	10" Ben Gar Ring

Felton Gaskets



PART #	DESCRIPTION
5579500016	6" Felton
5579500017	8" Felton
5579500018	10" Felton
5579500019	12" Felton

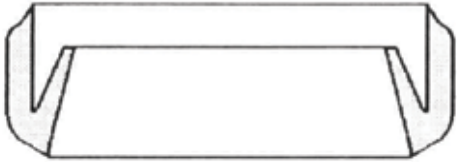
Flange Gaskets



PART #	DESCRIPTION
BLACK RUBBER, 1/8" THICK	
5563030002	4"
5563030004	6"
5563030005	8"
5563030006	10"
5563030007	12"
RED RUBBER, 1/8" THICK	
5563008001	4"
5563008003	6"
5563008004	8"
5563008005	10"
5563008006	12"

GATES & GASKETS

Gheen Gaskets



PART #	DESCRIPTION
5579500020	4" Gheen
5579500021	5" Gheen
5579500022	6" Gheen
5579500023	8" Gheen
5579500024	10" Gheen
5579500025	12" Gheen

IRECO Gaskets



PART #	DESCRIPTION
5579500026	4" IRECO
5579500027	6" IRECO
5579500028	8" IRECO
5579500029	10" IRECO

Lindsay Gaskets



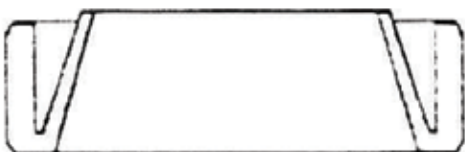
PART #	DESCRIPTION
5579500030	4" Lindsay
5579500031	6" Lindsay
5579500032	8" Lindsay

McDowell Gaskets



PART #	DESCRIPTION
5579500033	4" McDowell
5579500034	5" McDowell
5579500035	6" McDowell
5579500036	8" McDowell
5579500037	10" McDowell

Midwest Gaskets



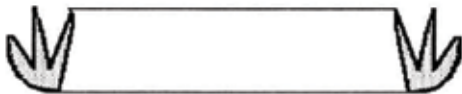
PART #	DESCRIPTION
5579500038	6" Midwest
5579500039	8" Midwest
5579500040	10" Midwest

Pierce Roundback Gaskets



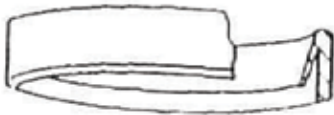
PART #	DESCRIPTION
5579008008	3" Pierce
5579008009	4" Pierce
5579500042	5" Pierce
5579500043	6" Pierce
5579008012	6-5/8" Pierce
5579500044	8" Pierce
5579008014	8-5/8" Pierce
5579500046	10" Pierce
5579008016	12" Pierce

Pierce Triple Lip Gaskets



PART #	DESCRIPTION
5579008017	8" Triple Lip
5579008018	10" Triple Lip

Pierce Flatback Gaskets



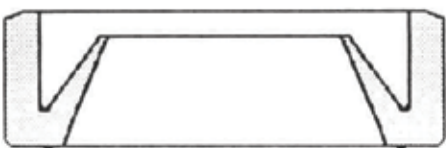
PART #	DESCRIPTION
5579008019	6" Flatback
5579008020	8" Flatback
5579008021	10" Flatback

Rainway Gaskets



PART #	DESCRIPTION
5579500047	2" Rainway
5579500048	3" Rainway
5579500049	4" Rainway
5579500050	5" Rainway
5579500051	6" Rainway
5579500052	8" Rainway
5579500053	10" Rainway

Tex-Flo Gaskets



PART #	DESCRIPTION
5579024001	6" Tex-Flo
5579024002	8" Tex-Flo
5579024003	9" Tex-Flo
5579024004	10" Tex-Flo
5579024005	12" Tex-Flo

GATES & GASKETS

Watergate Gaskets



PART #	DESCRIPTION
5579500064	6" Watergate
5579500065	8" Watergate
5579500066	10" Watergate
5579500067	12" Watergate

Wade Rane Gaskets



PART #	DESCRIPTION
5579500068	2" Wade Rane
5579500069	3" Wade Rane
5579500070	4" Wade Rane
5579500071	5" Wade Rane
5579500072	6" Wade Rane
5579500073	8" Wade Rane

Sock and Clips

PART #	DESCRIPTION
3576028001	Sock Only, Neoprene (25 PER BUNDLE)
3576028002	6" Clip, Aluminum
3576028003	8" Clip, Aluminum
3576028004	10" Clip, Aluminum
3576028005	12" Clip, Aluminum

Pipe Turners

PART #	DESCRIPTION
3576020001	6"
3576020002	8"
3576020003	10"
3576020004	12"
3576020005	6" x 8"
3576020006	8" x 10"
3576020007	10" x 12"

Gasket Cross Reference

A & M Old Style Round Back = Pierce Type
 Allume = Stout Type
 Alumax = A & M Type
 Ames QCL Type = Pierce Type
 Atlas Type = Pierce Type
 Ben Gar Full Type = A & M Type
 Boss Type = A & M Type
 Brown Type = A & M Type
 Champion Type 3" = Moore Rane/Gheen Type
 Dazoc = Moore Rane/Gheen Type
 Decoto Type = Pierce Type
 Diamond Type = Watergate Type
 Dual-Lock Type = Rainway Type
 Felco Type = Felton Type
 Flex-O-Seat Type = Chicago Type
 Fremont Gate = Nuslide Gate
 Heinzman = A & M Type

IRECO Allume Type = Stout Type
 Kroy Type = Felton Type
 Lake = Wosco or IRECO Type
 Lake Torque Type = Quad Ring
 Miller Poston = A & M Type
 Port-A-Lume = Shur Rane Type
 Rain For Rent = IRECO Type
 Rainway Round Type = Pierce Type
 Rainway Square Type = A & M Type
 Roll-Rain Type = Shur Rane Type
 Round Back = Pierce Type
 Steel Lume = IRECO Type
 Teledyne = A & M Type
 Tex Flo-Round Back = Pierce Type (Except 2" & 3")
 Travis Type = Rainway Type
 Vermeer Type = Shur Rane Type

Thunderbolt X100 Endgun™

PART #	DESCRIPTION
6067430104	18° Pivot End Gun (nozzle not included)
6067430105	24° Pivot End Gun, Movable and Solid Set (nozzle not included)



FEATURES

- Comes standard with both high and low force drive vanes for superior performance of small to large nozzles
- Continuous forward and reverse speeds
- Solid brass reversing stops
- Powder-coated aluminum drive arm
- Stainless steel arm bearing, nozzle mount and stud

Komet End Guns & Nozzles

Gun includes nozzle of choice

PART #	DESCRIPTION
6067250046	18° Twin 101/Plus PC
6067250047	18° Twin Max PC
6067250048	24° Twin Max PC
6067250049	24° Twin 202 / PRO PC
6067250070	4° Twin AP101/Plus PC, Dust Control



FEATURES

- A uniform water distribution helps the soil to evenly absorb the water, thus avoiding water run-offs
- A longer throw increases the area covered, making the irrigation more cost effective
- Adapts to every situation while keeping excellent performance in all types of irrigation systems and environmental conditions

SPRINKLERS

End of Pivot Sprinkler



The AXIS-I and AXIS-II can be used with the X100 Thunderbolt End Gun for added acreage and improved coverage of crops. AXIS sprinklers come with 1-1/4" NPT base and can be utilized in conjunction with a Seal-Matic® 1-1/4" valve.

AXIS-I

FEATURES

- First 'In the Turbine' viscous bearing sprinkler
- Double pin nozzle
- 15 to 50 PSI working pressure
- Large range of nozzle sizes from 18–84 GPM



PART #	DESCRIPTION
UPRIGHT STYLE • AXIS-I SPRINKLER	
6067430300	Purple Nozzle
6067430301	Red Nozzle
6067430302	Yellow Nozzle
6067430303	Green Nozzle
6067430304	Blue Nozzle

PART #	DESCRIPTION
REPLACEMENT NOZZLES	
6067430310	Purple Nozzle Only
6067430311	Red Nozzle Only
6067430312	Yellow Nozzle Only
6067430313	Green Nozzle Only
6067430314	Blue Nozzle Only

AXIS-II

FEATURES

- New 'V-Torque' motor
- Easy nozzle assembly and replacement
- 15 to 50 PSI working pressure
- Comes with a full set of nozzle sizes – 12, 15, 18 & 21

PART #	DESCRIPTION
INVERTED STYLE • AXIS-I SPRINKLER	
6067430400	Axis-II Sprinkler with Nozzle Set sizes 12, 15, 18 & 21
6067430410	Axis-II Nozzle Set Only – sizes 12, 15, 18 & 21

Drop Hose

You won't find a better price anywhere!

FEATURES

- Specifications meet or exceed OEM-original blue hose
- UV and cold resistant formulation

PART #	DESCRIPTION
6072008120	Blue Premium Drop Hose, 252' per roll



Excluders

Excluders prevent sand and rust from leaving the main pipeline and entering your nozzles.

PART #	DESCRIPTION
6068009001	Excluder for Plastic
6068009002	Excluder for Steel

Senninger Pressure Regulators

The **PSR** and the **PSR-2** are designed to handle flows along the length of the center pivot, as well as those associated with other mechanical-move systems. The PSR is recommended for relatively clean water. The patented PSR-2 is designed for use with surface water. Flows from 0.5 to 15 GPM (114-3407 L/hr).



PART #	PART #	DESCRIPTION
INLET 3/4" F (NPT), OUTLET 3/4" F (NPT)		
PSR063F3F	PSR2063F3F	6 PSI
PSR103F3F	PSR2103F3F	10 PSI
PSR123F3F	PSR2123F3F	12 PSI
PSR153F3F	PSR2153F3F	15 PSI
PSR203F3F	PSR2203F3F	20 PSI
PSR253F3F	PSR2253F3F	25 PSI
PSR303F3F	PSR2303F3F	30 PSI
PSR353F3F	PSR2353F3F	35 PSI
PSR403F3F	PSR2403F3F	40 PSI
PSR503F3F	PSR2503F3F	50 PSI

Senninger Pressure Regulator Low-Flow

The **PRL** is ideal for installations requiring lower flows of 0.5 to 8.0 GPM (114 to 1817 L/hr). Suggested use in solid-set, micro, drip, other low-volume irrigation systems as well as center pivot and mechanical-move irrigation systems.

PART #	DESCRIPTION
INLET 3/4" F (NPT), OUT(LET 3/4" F (NPT)	
PRL063F3F	6 PSI
PRL103F3F	10 PSI
PRL123F3F	12 PSI
PRL153F3F	15 PSI
PRL203F3F	20 PSI
PRL253F3F	25 PSI
PRL303F3F	30 PSI
PRL353F3F	35 PSI
PRL403F3F	40 PSI

Senninger i-Wob2®

Introducing the next generation of Wobbler technology. The improved design of the i-Wob2 features a protective shroud that protects the sprinkler’s wear surface from splashing of adjacent sprinklers, grit, and direct UV damage. The shroud also doubles as a nozzle carrier, making a re-nozzle quick and easy. Available with four different deflectors allowing you to customize to your specific soil and crop needs.



Standard-angle
9-groove
Black deflector
Medium droplets
Nozzle sizes #6-26



Standard-angle
6-groove
Grey deflector
Small droplets
Nozzle sizes #10-26



Low-angle
9-groove
Blue deflector
Medium droplets
Nozzle sizes #6-26



Low-angle
6-groove
White deflector
Large droplets
Nozzle sizes #12-26

PART #	DESCRIPTION
IWOB200B3UP3	Standard-angle 9-groove (black deflector) 3/4" M NPT, includes nozzle
IWOB200B3SA6UP3	Standard-angle 6-groove (grey deflector) 3/4" M NPT, includes nozzle
IWOB200B3LA9UP3	Low-angle 9-groove (blue deflector) 3/4" M NPT, includes nozzle
IWOB200B3LA6UP3	Low-single 6-groove (white deflector) 3/4" M NPT, includes nozzle
UP3NZ	UP3 color-coded nozzles #04-26, half sizes also available
UP3NZCD	UP3 dual nozzle carrier, excluding nozzles
FTA3M3BUP3NZ	3/4" M NPT x 3/4" hose barb insert adapter
MAGWGTRB	Magnum weight, with threaded barb
ONEWGT4	The One Weight

SPRINKLERS

Senninger Xi-Wob™ UP3

The PRXF is designed to handle flows up to 100 GPM (22,713 L/hr). It's ideal for installations requiring accurate zone pressure regulation, higher flows, including solid-set, low volume irrigation systems, manifolds and mechanical-move irrigation systems.



Model 610 (blue)
6-groove
10° trajectory
Medium droplets
Nozzle sizes #7-24



Model 615 (black)
6-groove
15° trajectory
Large droplets
Nozzle sizes #10-24



Model 910 (grey)
9-groove
10° trajectory
Small droplets
Nozzle sizes #10-24



Model 605 TOP
6-groove
5° trajectory
Medium droplets
Nozzle sizes #10-24

PART #	DESCRIPTION
XIWOB00B3610UP3	6-groove, 10° trajectory, blue deflector, 3/4" M NPT, includes nozzle
XIWOB00B3615UP3	6-groove, 15° trajectory, black deflector, 3/4" M NPT, includes nozzle
XIWOB00B3910UP3	9-groove, 10° trajectory, grey deflector, 3/4" M NPT, includes nozzle
XIWOB00B3605TUP3	6-groove, 5° trajectory, white deflector, top of pipe, 3/4" M NPT, includes nozzle
UP3NZ	UP3 color-coded nozzles #7-26, half sizes also available
UP3NZCD	UP3 dual nozzle carrier, excluding nozzles
FTA3M3BUP3NZ	3/4" M NPT x 3/4" hose barb insert adapter
MAGWGTSLP	Magnum weight, without barb
ONEWGT4	The One Weight

Senninger LDN[®] UP3

LDN adapts the flow variations along the pivot with its multiple pad and deflector configurations. This widens the wetted footprint of larger flows and produces more uniform droplets.



Single Pad Complete



Double Pad Complete



Triple Pad Complete

PART #	DESCRIPTION
LDN UP3 COMPLETE – SINGLE PAD	3/4" M NPT, includes nozzle, excludes weight
LDN UP3 COMPLETE – DOUBLE PAD	3/4" M NPT, includes nozzle, excludes weight
LDN UP3 COMPLETE – TRIPLE PAD	3/4" M NPT, includes nozzle, excludes weight
LDN UP3 COMPLETE – PART CIRCLE	3/4" M NPT, includes nozzle, excludes weight
LDNBRASMUP3	LDN UP3 bracket only, 3/4" M NPT, with retainer and O-ring, excludes nozzle
LDNHDCON	LDN heavy duty connector
UP3NZ	UP3 color-coded nozzles #7-26, half sizes also available
FTA3M3BUP3NZ	3/4" M NPT x 3/4" hose barb insert adapter
MAGWGTSLP	Magnum weight, without barb
ONEWGT4	The One Weight

LDN Deflector Pads

PART #	DESCRIPTION
CONCAVE BLUE	
LDNPHDC	33 Standard groove
LDNPHDCMG	33 Medium groove
LDNPHDCDG	24 Deep groove
LDNPHDMC	24 Mini, nozzles #4-9
LDNPHDCS	Smooth
LDNPHDPCCDG17	Part circle, deep groove, 170° pattern
FLAT BLACK	
LDNPHDF33	33 Standard groove
LDNPHDFMG	33 Medium groove
LDNPHDFDG	24 Deep groove
LDNPHDMF	24 Mini, nozzles #4-9
LDNPHDFS	Smooth
CONVEX GREEN	
LDNPHDV	33 Standard groove
LDNPHDVDG	24 Deep groove
LDNPHDMV	24 Mini, nozzles #4-9
LDNPHDVS	Smooth
CORN / COTTON	
LDNPHDCM11	Corn Chemigation Inserts, nozzles #4-9.5, red, CM1
LDNPHDCM25	Corn Chemigation Inserts, nozzles #10-26, maroon, CM2
LDNPHDCOT	Cotton Chemigation Inserts, 15°-30°
LDNPHDCT56	Cotton Chemigation Inserts, nozzles #5-24, white

Senninger Super Spray UP3®

The Super Spray delivers a 360° spray pattern, with no moving parts and durable construction, it is reliable in harsh conditions. Its interchangeable deflector pads allow customization of spray angle and droplet size.

PART #	DESCRIPTION
SSBRASMUP3	Super Spray UP3 bracket only, 3/4" M NPT, with retainer and O-ring, excludes nozzle and pad
UP3NZ	UP3 Color-coded nozzles #7-26, half sizes also available
UP3NZCD	UP3 Dual nozzle carrier, excluding nozzles
FTA3M3BUP3NZ	3/4" M NPT x 3/4" Hose barb insert adapter
MAGWGTSLP	Magnum weight, without barb
ONEWT4	The One Weight



Super Spray Complete

Super Spray Deflector Pads

PART #	DESCRIPTION
CONCAVE • BLUE	
SSPCC24DG	24 Deep groove
SSPCC36DG	36 Deep groove
SSPCC48DG	48 Deep groove
SSPCC36MG	36 Medium groove
SSPCCSM	Smooth
SSPMCCSM	Mini smooth, nozzles #4-9.5
FLAT • BLACK	
SSPFL24DG	24 Deep groove
SSPFL36DG	36 Deep groove
SSPFL48DG	48 Deep groove
SSPFL36MG	36 Mmedium groove
SSPFLSM	Smooth
SSPMFLSM	Mini smooth, nozzles #4-9.5

PART #	DESCRIPTION
CONVEX • GREEN	
SSPCV24DG	24 Deep groove
SSPCV36DG	36 Deep groove
SSPCV48DG	48 Deep groove
SSPCV36MG	36 Medium groove
SSPCVSM	Smooth
SSPCMVSM	Mini smooth, nozzles #4-9.5
CORN/COTTON	
SSPCORN	Corn Chemigation, red, nozzles #10-26
SSMCORN	Mini Corn Chemigation, red, nozzles #4-9.5
SSPCOT	Cotton Chemigation, white, nozzles #10-26
SSPCMOT	Mini Cotton Chemigation, white, nozzles #5-9.5

SPRINKLERS

Pivot Master® Impact Sprinklers

Pivot-Master impact sprinklers distribute water in a low 6° trajectory designed to fight wind-drift and evaporation. The durable design with enclosed splash-arm spring and bearing for protection from the elements. Available in single and double nozzle models available.



3006 Single - Orange



4006 Single - White



5006 Single - Blue



5006-2 Single - Blue

PART #	DESCRIPTION
6° SINGLE NOZZLE 30, 40, 50 SERIES	
3006H13MPM	3/4" M NPT, brass swivel and stem
4006H13MPM	3/4" M NPT, brass swivel and stem
5006H13MPM	3/4" M NPT, brass swivel and stem
HTNZV	Hand-Tight Nozzle-Vane combo, sizes #5-18
6° DOUBLE NOZZLE 40 & 50 SERIES	
400623MPM	3/4" M NPT, brass swivel and stem
500623MPM	3/4" M NPT, brass swivel and stem
HTNZV	Hand-Tight Nozzle-Vane combo, sizes #5-18
12° SINGLE NOZZLE 30, 40, 50 SERIES	
3012H13MPM	3/4" M NPT, brass swivel and stem
4012H13MPM	3/4" M NPT, brass swivel and stem
5012H13MPM	3/4" M NPT, brass swivel and stem
HTNZV	Hand-Tight Nozzle-Vane combo, sizes #5-18

Pivot Master® Impact Sprinklers



7025RD-1
Range nozzle sizes #14-24



7025RD-2
Range nozzle sizes
Spreader nozzle sizes
#7-16 #14-24



8025HR-1
Range nozzle sizes #24-40



8025HR-2
Range nozzle sizes #24-40
Spreader nozzle sizes
#14-18

PART #	DESCRIPTION
12° DOUBLE NOZZLE 70 SERIES	
7012S23F	1" M NPT, plastic swivel with 1" x 3/4" coupling
7012S24F	1" M NPT, plastic swivel with 1" coupling
70NZ	Range Nozzle, sizes #14-26
25° SINGLE OR DOUBLE NOZZLE – RANGE DRIVE 70 SERIES	
7025R13F	1" M NPT, plastic swivel with 1" x 3/4" coupling
7025R14F	1" M NPT, plastic swivel with 1" coupling
7025R23F	1" M NPT, plastic swivel with 1" x 3/4" coupling
7025R24F	1" M NPT, plastic swivel with 1" coupling
70NZ	Range Nozzle, sizes #14-26
25° DOUBLE NOZZLE – SPREADER DRIVE 70 SERIES	
7025S23F	1" M NPT, plastic swivel with 1" x 3/4" coupling
7025S24F	1" M NPT, plastic swivel with 1" coupling
70NZ	Range Nozzle, sizes #14-26
25° SINGLE OR DOUBLE NOZZLE – RANGE DRIVE 80 SERIES	
8025HR14F	1-1/4" M NPT, plastic swivel with 1-1/4" x 1" coupling
8025HR15F	1-1/4" M NPT, plastic swivel with 1-1/4" x 1-1/4" coupling
8025HR24F	1-1/4" M NPT, plastic swivel with 1-1/4" x 1" coupling
8025HR25F	1-1/4" M NPT, plastic swivel with 1-1/4" x 1-1/4" coupling
80NZ	Range Nozzle, sizes #22-40
25° DOUBLE NOZZLE – SPREADER DRIVE 80 SERIES	
8025HS24F	1-1/4" M NPT, plastic swivel with 1-1/4" x 1-1/4" coupling
8025HS25F	1-1/4" M NPT, plastic swivel with 1-1/4" x 1-1/4" coupling
80NZ	Range Nozzle, sizes #22-40

SPRINKLERS

Senninger Goosenecks

Goosenecks are constructed, non-corrosive, UV-resistant thermal plastic materials for a long life and reduced plugging.



Double 125°



Single 125°



Single 180°

PART #	DESCRIPTION
GN125DB	Double 125° Gooseneck, 3/4" F NPT inlet x 3/4" barb outlet
GN125DM	Double 125° Gooseneck, 3/4" F NPT inlet x 3/4" M NPT outlet
GNAP125DB	Double 125° Gooseneck assembly with nipple, 3/4" M NPT inlet x 3/4" barb outlet
GNAP125DM	Double 125° Gooseneck assembly with nipple, 3/4" M NPT inlet x 3/4" M NPT outlet
GN125SB	Single 125° Gooseneck, 3/4" F NPT inlet x 3/4" barb outlet
GN125SM	Single 125° Gooseneck, 3/4" F NPT inlet x 3/4" M NPT outlet
GNAP125SB	Single 125° Gooseneck assembly with nipple, 3/4" M NPT inlet x 3/4" barb outlet
GNAP125SM	Single 125° Gooseneck assembly with nipple, 3/4" M NPT inlet x 3/4" M NPT outlet
GN180X6B	Single 180° Gooseneck (barb), 3/4" F NPT inlet x 3/4" barb outlet
GN180X6B1	Single 180° Gooseneck (barb), 3/4" F NPT inlet x 19mm barb outlet (grey)
GN180X6M	Single 180° Gooseneck (threaded), 3/4" F NPT inlet x 3/4" M NPT outlet
GNAP180X6B	Single 180° Gooseneck assembly with nipple (barb), 3/4" M NPT inlet x 3/4" barb outlet
GNAP180X6M	Single 180° Gooseneck assembly with nipple (threaded), 3/4" M NPT inlet x 3/4" M NPT outlet
FTN33	3/4" NPT x 3/4" NPT nipple, Thermoplastic

Senninger Truss Rod Hose Slings

Truss rod hose slings maintain a drop / sprinkler's position. This prevents kinking and ensures the sprinkler pattern is not disrupted due to colliding streams. Securely fastens to 3/4" flexible hose.



PART #	DESCRIPTION
TRUSS ROD HOSE SLING	
TRHS625	5/8" rod, rust
TRHS687	11/16" rod, green
TRHS750	3/4" rod, black
TRHS812	13/16" rod, grey
TRHS875	7/8" rod, blue

Senninger Nozzles

PART #	DESCRIPTION
NZIN	Insert, color-coded, sizes #6-21 for 20°, 30°, 40° and 50° impact sprinklers, Xcel-Wobblers, Wobblers and Smooth Drive
HTNZV	Hand-Tight Nozzle-Vane Combo, sizes #6-9 for 20 and 30° impact sprinklers
HTNZVQ	Square Orifice Hand-Tight Nozzle-Vane with O-ring, color-coded, sizes #5-10 for 20° and 30° impact sprinklers (half sizes also available)
HTNZPLUG	Hand-Tight Nozzle Plug, black
7ONZ	Range Nozzle, sizes #14-26 for 70° impact sprinklers
8ONZ	Range Nozzle, sizes #22-40 for 80° impact sprinklers
UP3NZ	UP3 Nozzle, color-coded, sizes #4-26 for Super Spray, i-Wob2, Xi-Wob

Senninger Vanes & Cylinders

PART #	DESCRIPTION
VNW	Regular vane, white
VNB	Barrel vane, blue
VNR	Spiral vane, red
VN72	Range nozzles, barrel vane, blue-green, short, for 7012 impacts
VN75E	Range nozzles, effluent vane, pink, for 7025 impacts
VN72S	Range nozzles, dark-red, for 7012 Impacts
VN85	Range nozzles, barrel vane, black, for 8025 impacts
NHWI	Winged nozzle holder

Senninger Weights

Provides stability on drops for a number of pivot applicators.



PART #	DESCRIPTION
MAGWGTSLP	Magnum Weight, without barb
MAGWGTRB	Magnum Weight, with threaded barb
ONEWGT4	The One Weight

SPRINKLERS

Senninger Threaded Pipe Fittings

Fittings are made from engineering-grade thermoplastics.

PART #	DESCRIPTION
CPL22	1/2" (NPT) x 1/2" (NPT) Threaded Pipe Coupling
CPL33	3/4" (NPT) x 3/4" (NPT) Threaded Pipe Coupling
CPL44	1" (NPT) x 1" (NPT) Threaded Pipe Coupling
CPL55	1 1/4" (NPT) x 1 1/4" (NPT) Threaded Pipe Coupling
CPL32	3/4" (NPT) x 1/2" (NPT) Threaded Reducing Coupling
CPL43	1" (NPT) x 3/4" (NPT) Threaded Reducing Coupling
CPL53	1 1/4" (NPT) x 3/4" (NPT) Threaded Reducing Coupling
CPL54	1 1/4" (NPT) x 1" (NPT) Threaded Reducing Coupling
CPL22S	1/2" (NPT) x 1/2" (NPT) Slip Threaded x Slip Coupling
CPL23S	1/2" (NPT) x 3/4" (NPT) Slip Threaded x Slip Coupling
CPL33S	3/4" (NPT) x 3/4" (NPT) Slip Threaded x Slip Coupling
FTN32	3/4" (NPT) x 1/2" (NPT) Reducing Nipple
FTN33	3/4" (NPT) x 3/4" (NPT) Nipple
FTN33H	3/4" (NPT) x 3/4" (NPT) Hose Thread Nipple
FTN3	3/4" (NPT) Threaded Plug
FTN4	1" (NPT) Threaded Plug
FTB43	1" M (NPT) x 3/4" F (NPT) Threaded Reducing Bushing

Clamps & Adapters

PART #	DESCRIPTION
HSC4OET	1" Hose Clamp
HSCTOET386	Crimping tool for hose clamps, blue grips
HSCTOET11	Crimping tool for hose clamps, red grips
FTA3M2B	3/4" M NPT x 1/2" Hose Barb Insert Adapter, black
FTA3M3B	3/4" M NPT x 3/4" Hose Barb Insert Adapter, black
FTA3B3B	3/4" Hose barb x 3/4" Hose Barb Insert Adapter, black
FTA3F3B	3/4" F NPT x 3/4" Hose Barb Insert Adapter, black
FTA3M3BPE	3/4" M NPT x 3/4" Hose Barb Insert Adapter PE, grey
FTA3F3BPE	3/4" F NPT x 3/4" Hose Barb Insert Adapter PE, grey
FTA3M3BUP3NZ	3/4" M NPT x 3/4" Hose Barb insert Adapter, UP3 Dual Nozzle Carrier

Pressure Gauges



PART #	DESCRIPTION
SENNINGER PRESSURE GAUGE • GLYCERIN-FILLED	
GA032PB	2-1/2", 0-30 PSI
GA062PB	2-1/2", 0-60 PSI
GA102PB	2-1/2", 0-100 PSI
GA202PB	2-1/2", 0-200 PSI
SENNINGER PRESSURE GAUGE, FREEZE-PROOF, GLYCERIN-FILLED	
GA032PBFP	2-1/2", 0-30 PSI
GA062PBFP	2-1/2", 0-60 PSI
GA102PBFP	2-1/2", 0-100 PSI
GA162FP	2-1/2", 0-160 PSI
STAINLESS STEEL CASE, 1/4" NPT BRASS LOWER MOUNT, GLYCERIN-FILLED	
6069442004	2-1/2", 0-60 PSI
6069442005	2-1/2", 0-100 PSI
6069442006	2-1/2", 0-160 PSI

Ball Valves

PART #	DESCRIPTION
FTV3F3M	3/4" Senninger Ball Valve, plastic NPT with dial shutoff knob (Blue)
6070036001	3/4" Ball Valve, plastic NPT with long handle (Orange) 422PL
6070036002	3/4" Ball Valve, plastic NPT with dial shutoff knob (Orange) 422P

SPRINKLERS

Senninger Xcel-Wobbler®

The Xcel-Wobbler provides instantaneous coverage over a large area. It distributes water in an extremely uniform pattern, that resists wind-drift evaporation.

PART #	DESCRIPTION
NOZZLE INCLUDED #6-14	
XWOB00B3HALD	3/4" M (NPT), High-angle, black deflector
XWOB00B2HALD	1/2" M (NPT), High-angle, black deflector
XWOB00B3MA	3/4" M (NPT), Mid-angle, white deflector
XWOB00B2MA	1/2" M (NPT), Mid-angle, white deflector
NZIN	Nozzle Inserts, specify size



Senninger Wobbler®

Wobblers produce droplets resistant to wind-drift and evaporation, and distribute them in a gentle rain-like pattern.

PART #	DESCRIPTION
NOZZLE INCLUDED #6-21	
WOB00B3	3/4" M (NPT), Standard-angle, black deflector
WOB00B2	1/2" M (NPT), Standard-angle, black deflector
WOB00B3LA	3/4" M (NPT), Low-angle, white deflector
WOB00B2LA	1/2" M (NPT), Low-angle, white deflector
NZIN	Nozzle Inserts, specify size



Lawn Sled

PART #	DESCRIPTION
10/BOX	
6081036001	Lawn Sled for use with 1/2" Wobblers & Xcel Wobblers



Senninger Mini-Wobbler®

PART #	DESCRIPTION
UPRIGHT • SIZES #4-8	
WOB04M200	Mini-Wobbler, 1/2" M (NPT), white deflector
WOB05M200	Mini-Wobbler, 1/2" M (NPT), white deflector
WOB06M200	Mini-Wobbler, 1/2" M (NPT), white deflector
WOB07M200	Mini-Wobbler, 1/2" M (NPT), white deflector
WOB08M200	Mini-Wobbler, 1/2" M (NPT), white deflector
INVERTED • SIZES #5-8	
WOB05IM250	Mini-Wobbler, 1/2" M (NPT), blue deflector
WOB06IM250	Mini-Wobbler, 1/2" M (NPT), blue deflector
WOB07IM250	Mini-Wobbler, 1/2" M (NPT), blue deflector
WOB08IM250	Mini-Wobbler, 1/2" M (NPT), blue deflector



Senninger T-Spray™

The T-Spray is durable with no moving parts. It delivers a fine 360° spray ideal for delicate stock. The standard angle can be installed upright or vertical.

PART #	DESCRIPTION
UPRIGHT OR INVERTED • SIZES #6-8	
TSPB206	Standard-angle T-stem 1/2" M (NPT)
TSPB207	Standard-angle T-stem 1/2" M (NPT)
TSPB208	Standard-angle T-stem 1/2" M (NPT)



Senninger Fan Spray™

The Fan Spray has a directional spray pattern that is ideal for distributing water away from wheel tracks. It can be mounted upright or inverted and has no moving parts.

PART #	DESCRIPTION
SIZES #5-24	
SN##	Part Circle Fan Spray, 3/4" M (NPT) Base



